



RETENTION CABLE  
Installation Instructions Van:  
**VNRA13PROM65**

**PROMASTER**  
**159" WHEELBASE**  
2013-CURRENT

Watch short installation videos at [www.decked.com/video](http://www.decked.com/video) | Register your system at [www.decked.com/warranty](http://www.decked.com/warranty)

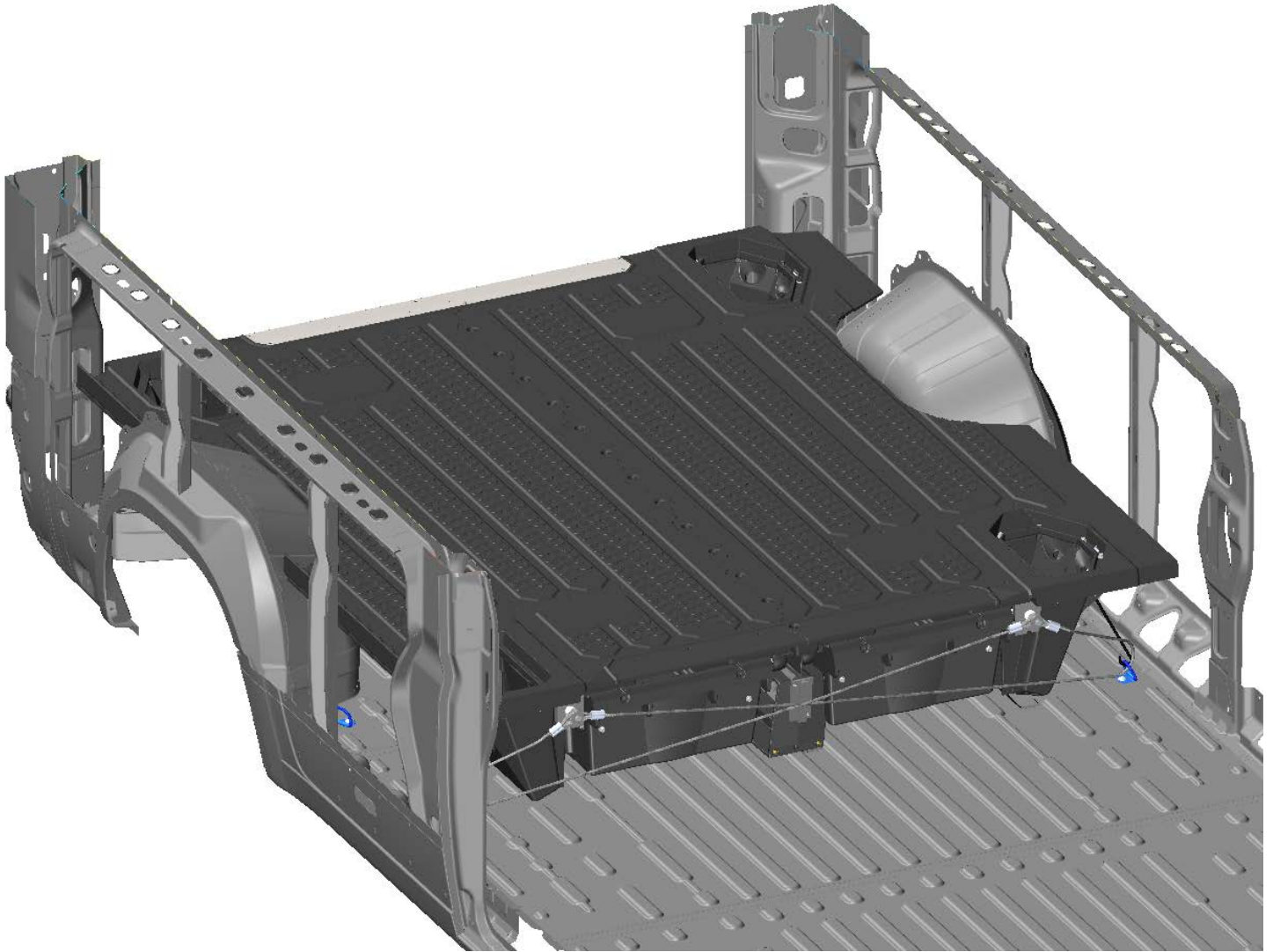
FOLLOW US:      @DECKEDUSA | #DECKEDUSA

VERSION 5

DECKED.COM | 208.806.0251

# RETENTION CABLE INSTALLATION

This view is to orient yourself to the vehicle, the DECKED System installed using the installation procedures that came with your system, and how the van cables should appear when the cable installation process is complete.

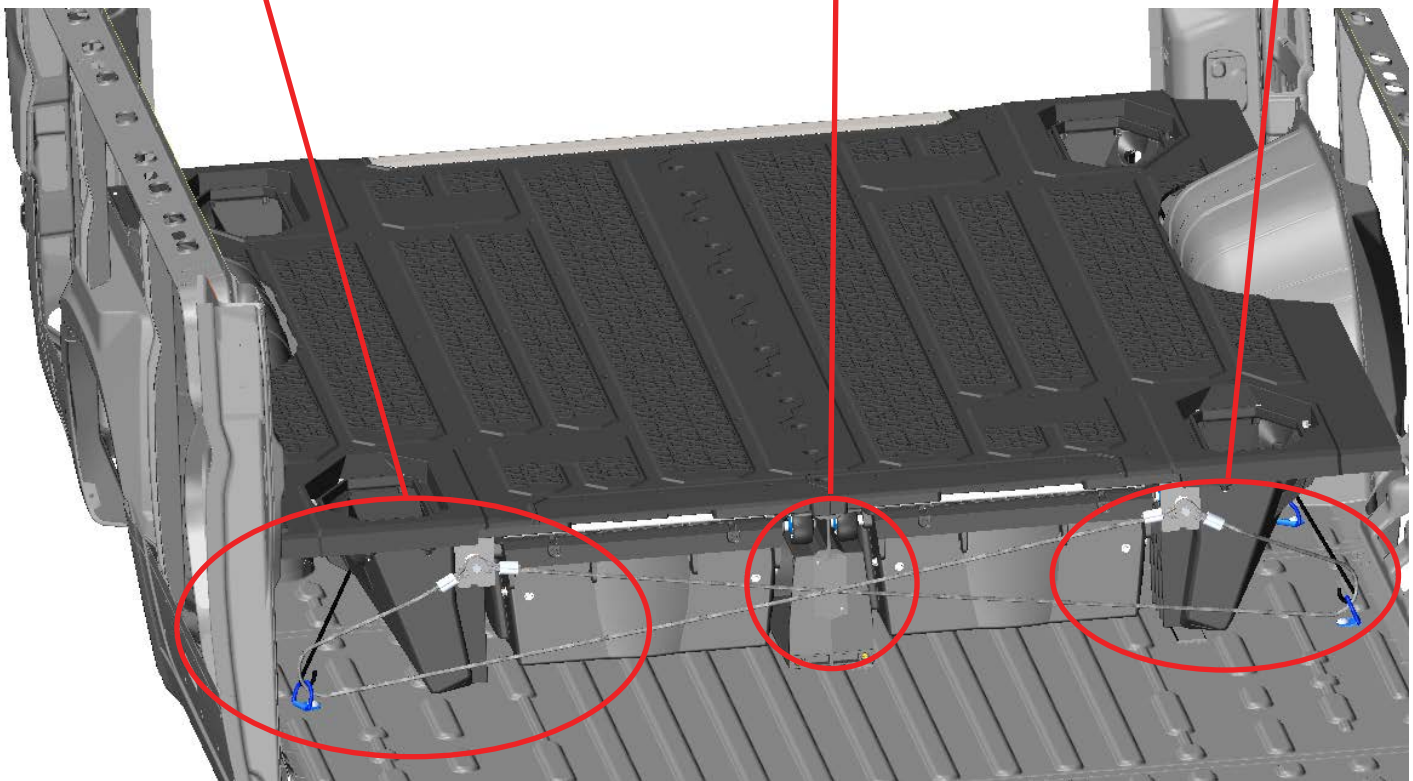


# RETENTION CABLE INSTALLATION

See cable installation  
step #3

See cable installation  
step #1

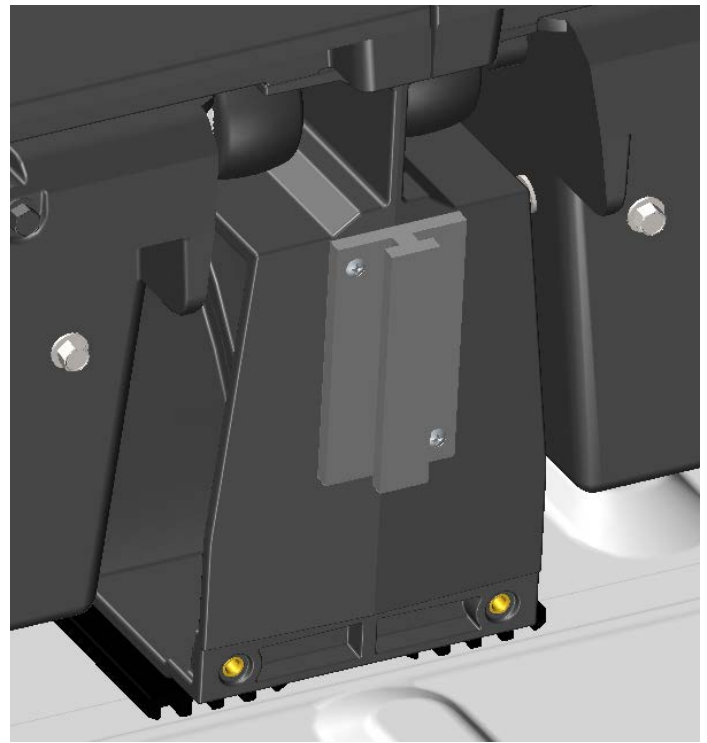
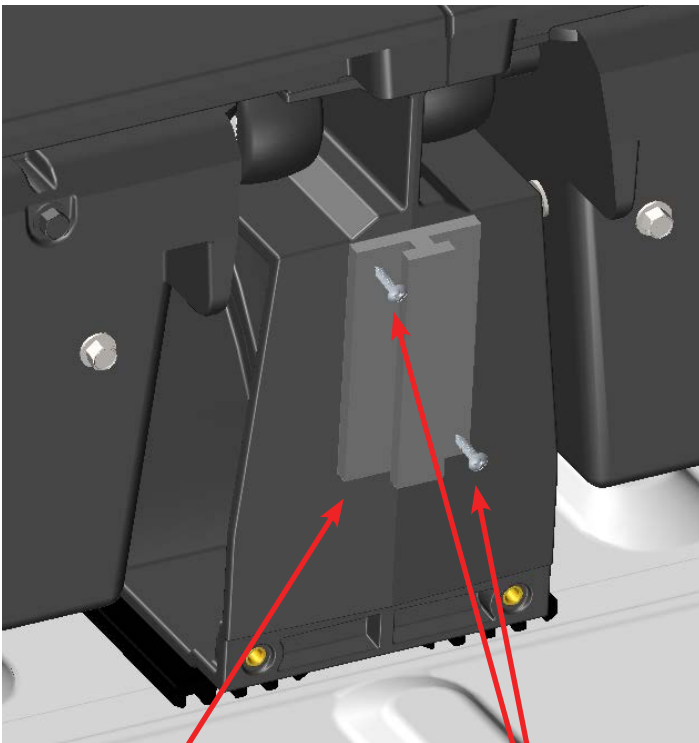
See cable installation  
step #2



# RETENTION CABLE INSTALLATION

## Cable Installation – Step #1 –

- Center cable standoff to center vert and align top edge of standoff to bottom of drawer wheel channel.
- Run two #8 self-tapping screws, diagonally oriented as shown in image below, thru cable standoff and into center vert; **BAG VAN CABLE KIT**.



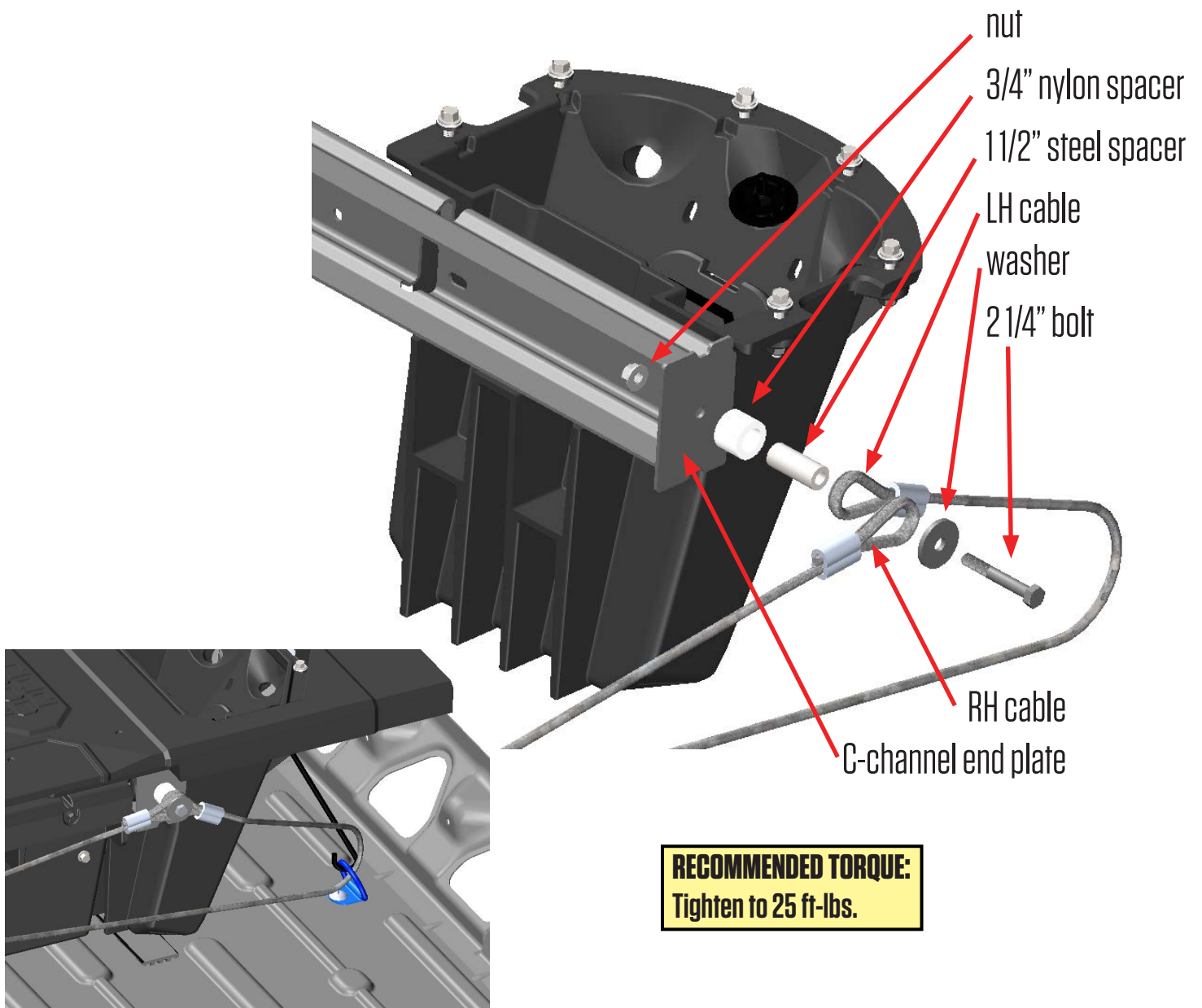
cable standoff

#8 self tapping screws

# RETENTION CABLE INSTALLATION

## Cable Installation – Step #2 –

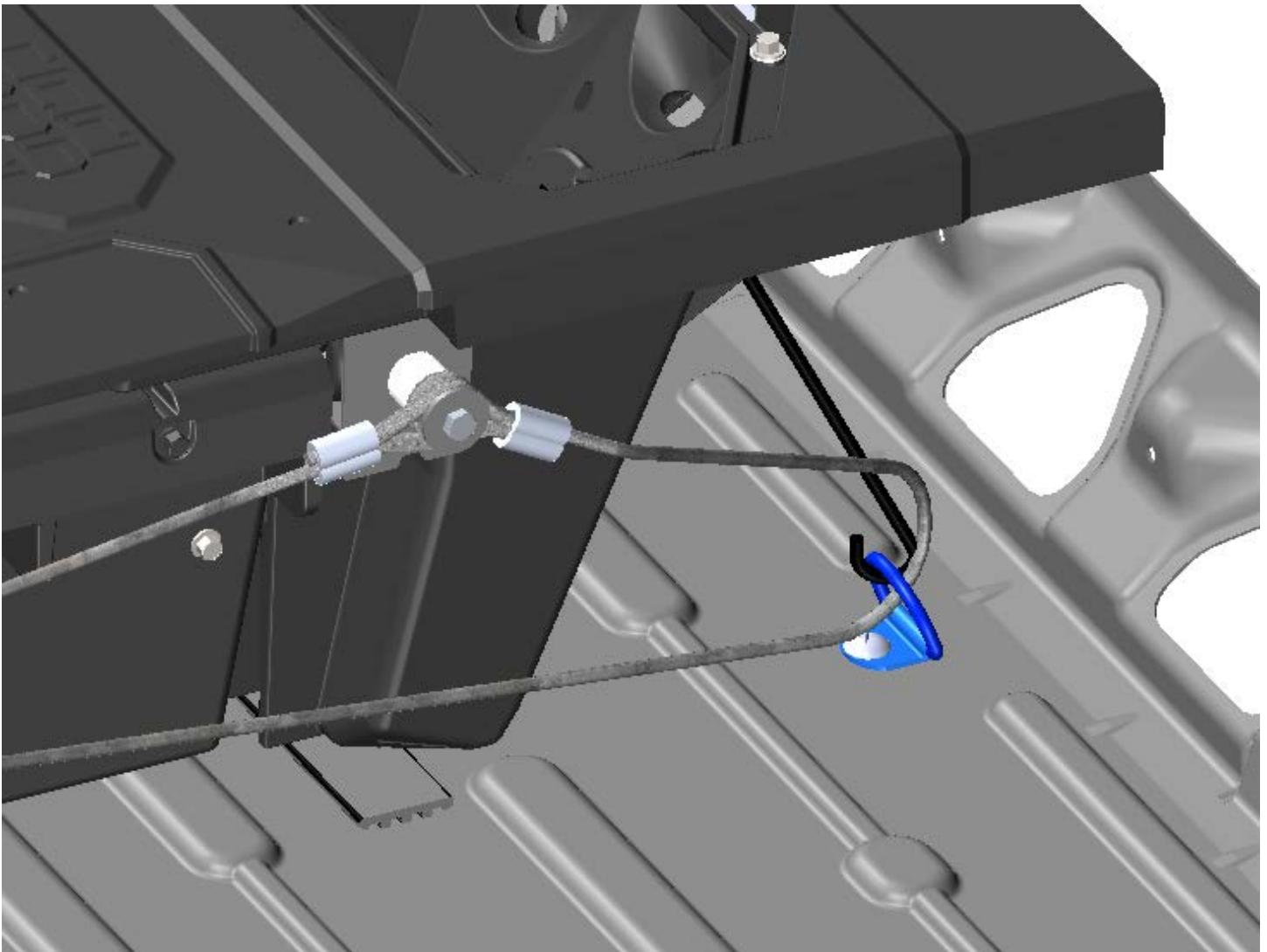
- Starting on the driver side of the vehicle, loop LH cable eye thru cargo tie down ring (shown in blue in assembled view) on the cabside of the J-hook; **BAG VAN CABLE KIT**.
- Assemble LH and RH cable ends in the order depicted in the exploded view image, i.e. bolt thru washer, then thru RH cable eye and then LH cable eye, then thru 1 1/2" steel spacer and the thru 3/4" nylon spacer, thru hole in C-channel end plate and into nut; **BAG VAN CABLE KIT**.



**RECOMMENDED TORQUE:**  
Tighten to 25 ft-lbs.

# RETENTION CABLE INSTALLATION

Enlargement of LH cable assembly attachment to cargo tie down loop.

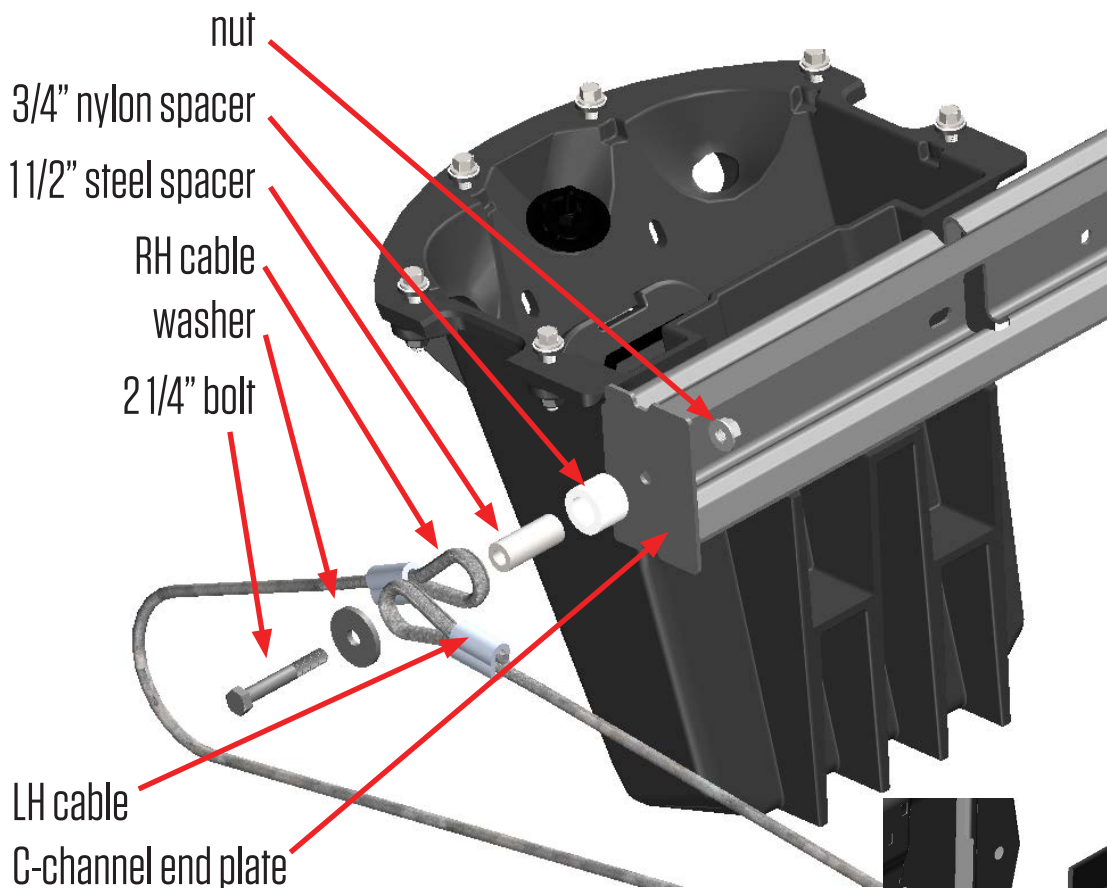




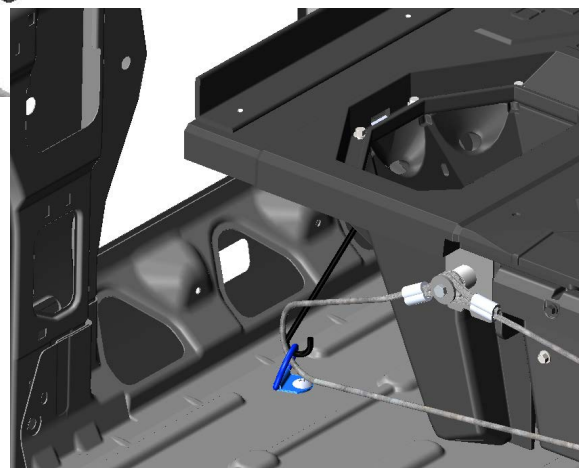
# RETENTION CABLE INSTALLATION

## Cable Installation – Step #3 –

- On the passenger side of the vehicle, loop RH cable eye thru cargo tie down ring (shown in blue in assembled view) on the cabside of the J-hook; **BAG VAN CABLE KIT**.
- Assemble LH and RH cable ends in the order depicted in the exploded view image, i.e. bolt thru washer, then thru LH cable eye and then RH cable eye, then thru 1 1/2" steel spacer, thru nylon spacer, thru hole in C-channel end plate and into nut; **BAG VAN CABLE KIT**.



**RECOMMENDED TORQUE:**  
Tighten to 25 ft-lbs.



# RETENTION CABLE INSTALLATION

Enlargement of RH cable assembly attachment to cargo tie down loop.

