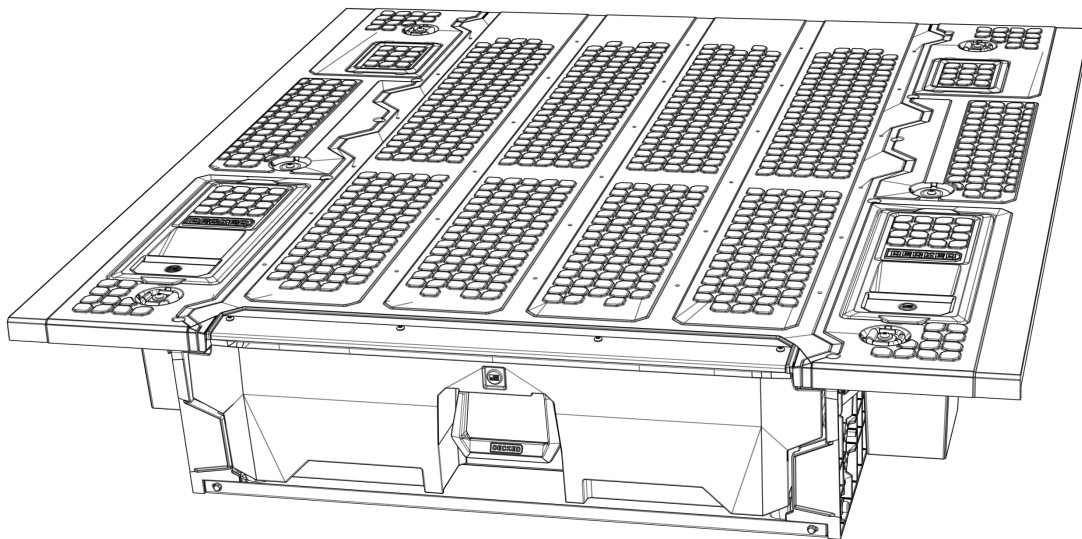




INSTALLATION INSTRUCTIONS*



YT3/YT4
TOYOTA HILUX DOUBLE/KING
1569MM/1805MM
2016-CURRENT

*Trust us on this one; don't go commando and attempt your install without reading.
You'll just cuss a bunch and create even more chaos in your truck bed.

TOOLS REQUIRED

- 1/2" and 3/8" socket
- 7/16" socket and/or wrench
- Phillips head screwdriver
- 3/16", and 7/32" hex key
- We included a 3/16" and 7/32" hex key for your tool kit but you may prefer to use your own.
- Trusted friend with a weak mind and a strong back.

INSTALL VIDEO

High tech link to video here or you can visit decked.com/video



HEY! TORQUE BOY

READ BEFORE YOU INSTALL

Welcome to DECKED! In a world of crappy instructions, bad advice, and questionable sources of truth, we are here to make sure that your install goes as smoothly as possible, saving you headaches and heartburn. That said, your part is to read the darned instructions!

1. Only use cordless screw guns or drivers with a clutch and speed setting adjustment.
2. Set your clutch down in the bottom 1/3 of the available torque settings.
3. Set your drill speed to the slowest speed.
4. We tell you all of this to prevent you from blowing up the inserts and setting your install back. Start screws into inserts with your fingers to make sure you don't cross-thread.
5. Do NOT use pneumatic air tools or old school tools with no torque settings.
6. Drop in bedliners are not compatible and need to be removed.

*NOTE: Two extra threaded inserts are included in the PREP-EXTRA bag. That's all you get big timer, unless you call us and ask for more. The repair inserts will replace any stripped inserts in the corner support feet and the deck panel. So, hand-tighten until snug only! You can also screw the feet inserts back in if dislocated. Use a flat screwdriver to screw them back in from below.

CONTENTS

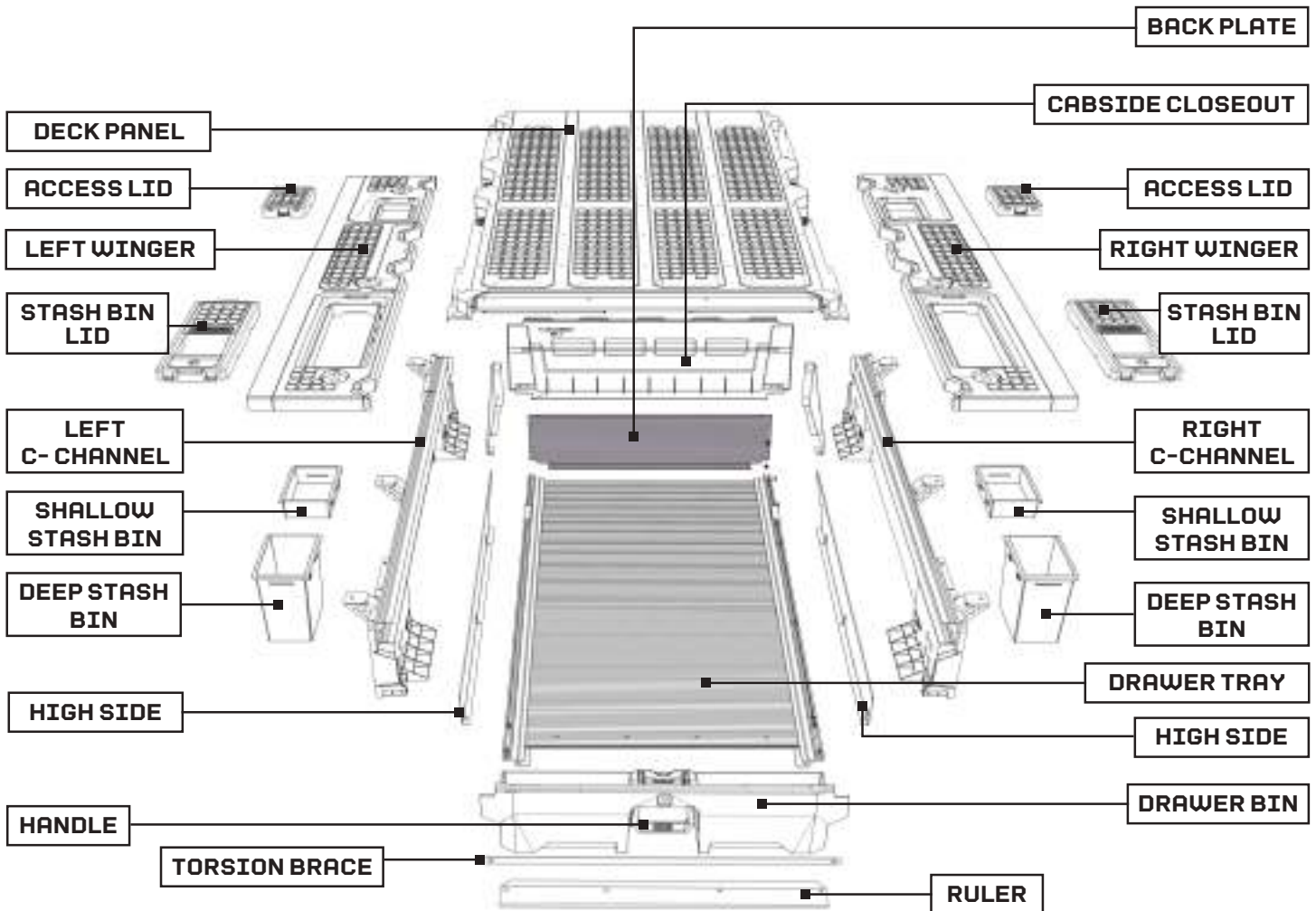
DECKED CARTON

LEFT C-CHANNEL ASSEMBLY	1
RIGHT C-CHANNEL ASSEMBLY.....	1
DECK PANEL	1
TRAY ASSEMBLY	1
SIDE WINGERS	2
TRAY HIGH SIDES	2
TRAY BACK PLATE	1
WHEEL BRACKETS	2
DRAWER BIN	1
TORSION BRACE	1
RULER.....	1
STASH BIN - DEEP.....	2
STASH BIN - SHALLOW.....	2
HARDWARE KIT	1
TRAY MAT	1
SIXER CASE	1
HALFRACK CASE.....	1
D-CO BIN	1

HARDWARE BOX

PREP EXTRA
PREP YT3/YT4
XY WHEELS
MS BOLTS
NUTS AND BOLTS
D-RINGS
MS D-RINGS HW
MS SCREWS
WHEEL BUMPERS
DRAWER BIN HW
WHEEL STOPS
MS PLUGS
STUBBIES
TURNBUCKLES

ASSEMBLY OVERVIEW

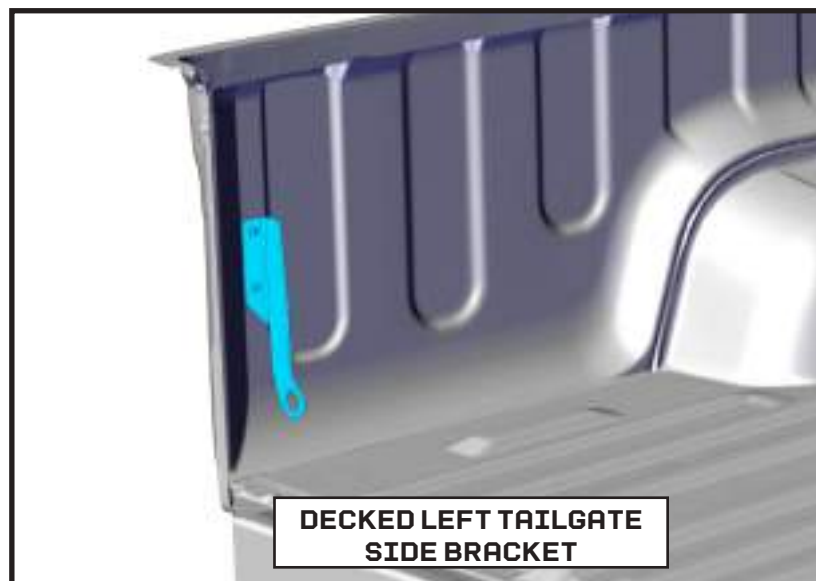


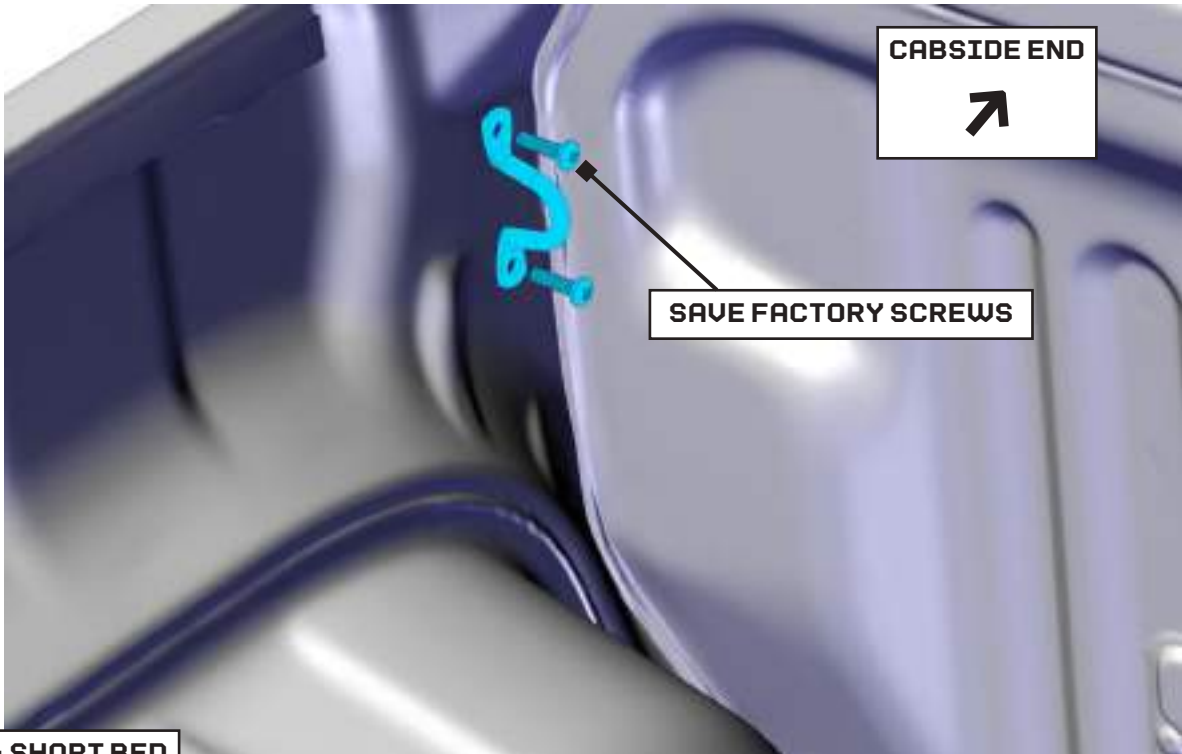
ARE YOU ADDING A CARGOGLIDE TO YOUR DRAWER SYSTEM?

1. You will need CargoGlide Mounting Brackets. If you do not have these, they are available on our website.
2. The brackets and CargoGlide can be added after installing the Drawer System into your truck bed.

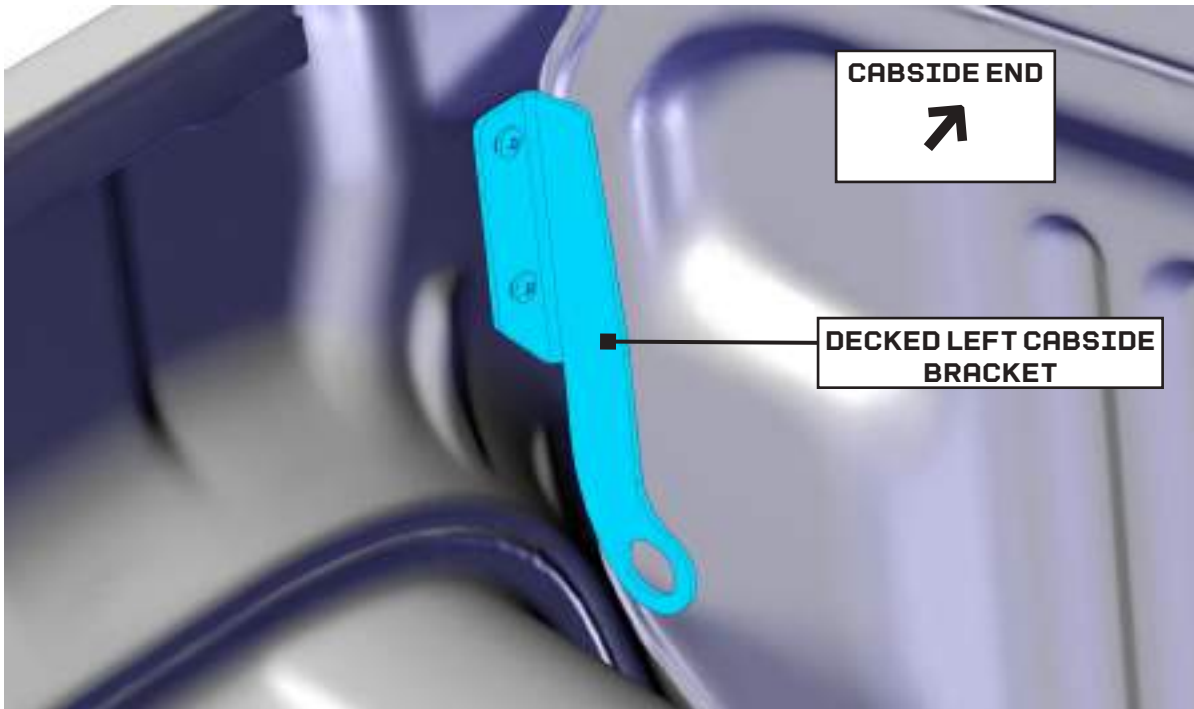
INSTALL: PREP BED

1. Remove the factory cabside tie downs with a Phillips head screwdriver.
2. There are left and ride-sided DECKED tie down brackets. Install the DECKED tie down bracket on the left cabside of the bed using the factory screws.
3. Install a right-handed bracket in the same fashion on the opposite cabside of the truck bed.





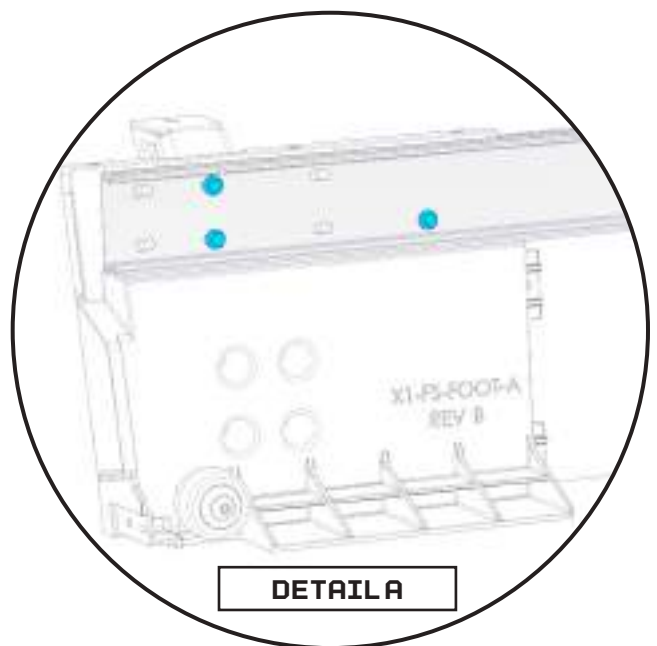
NOTE: SHORT BED IS SHOWN

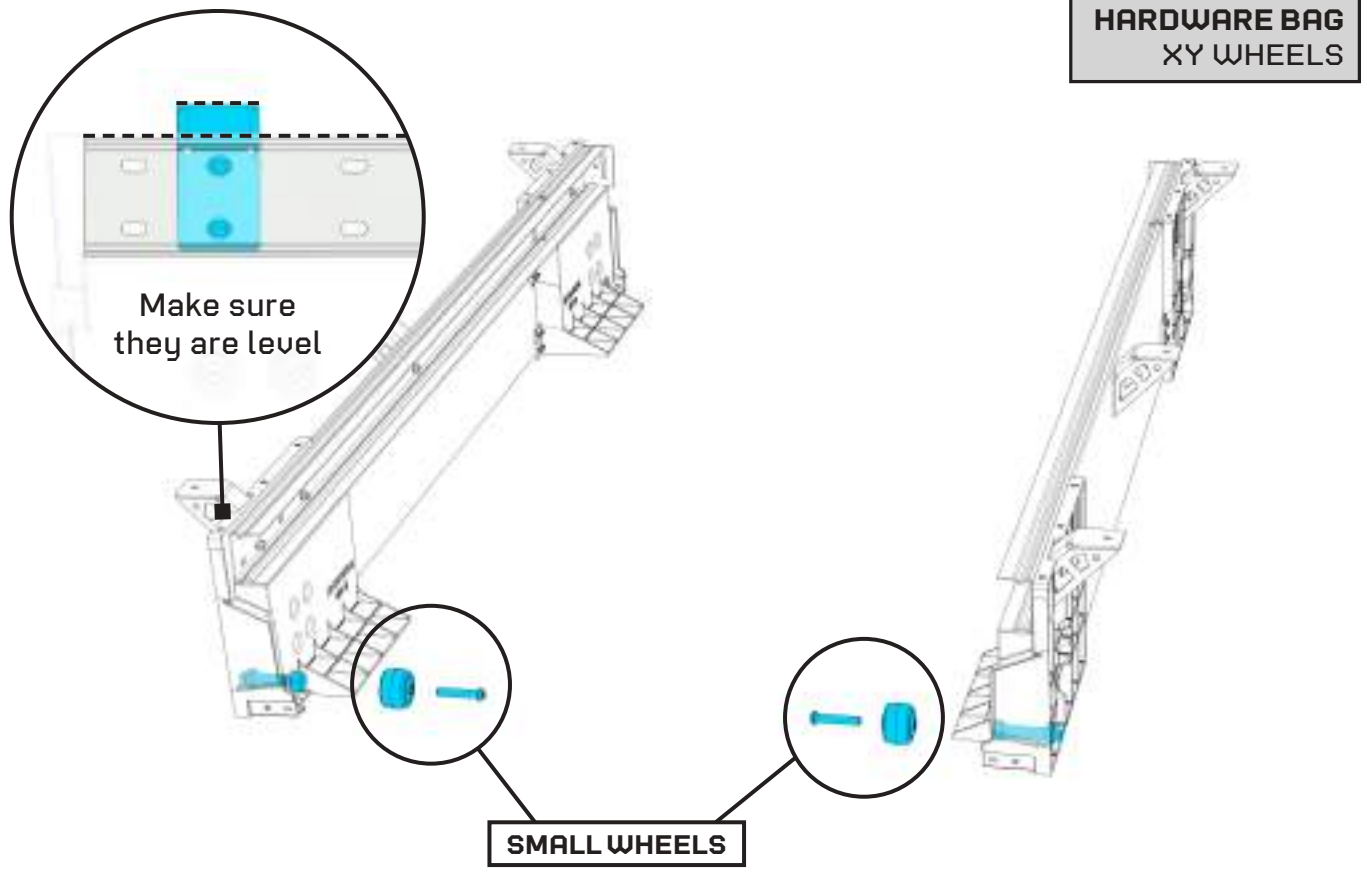
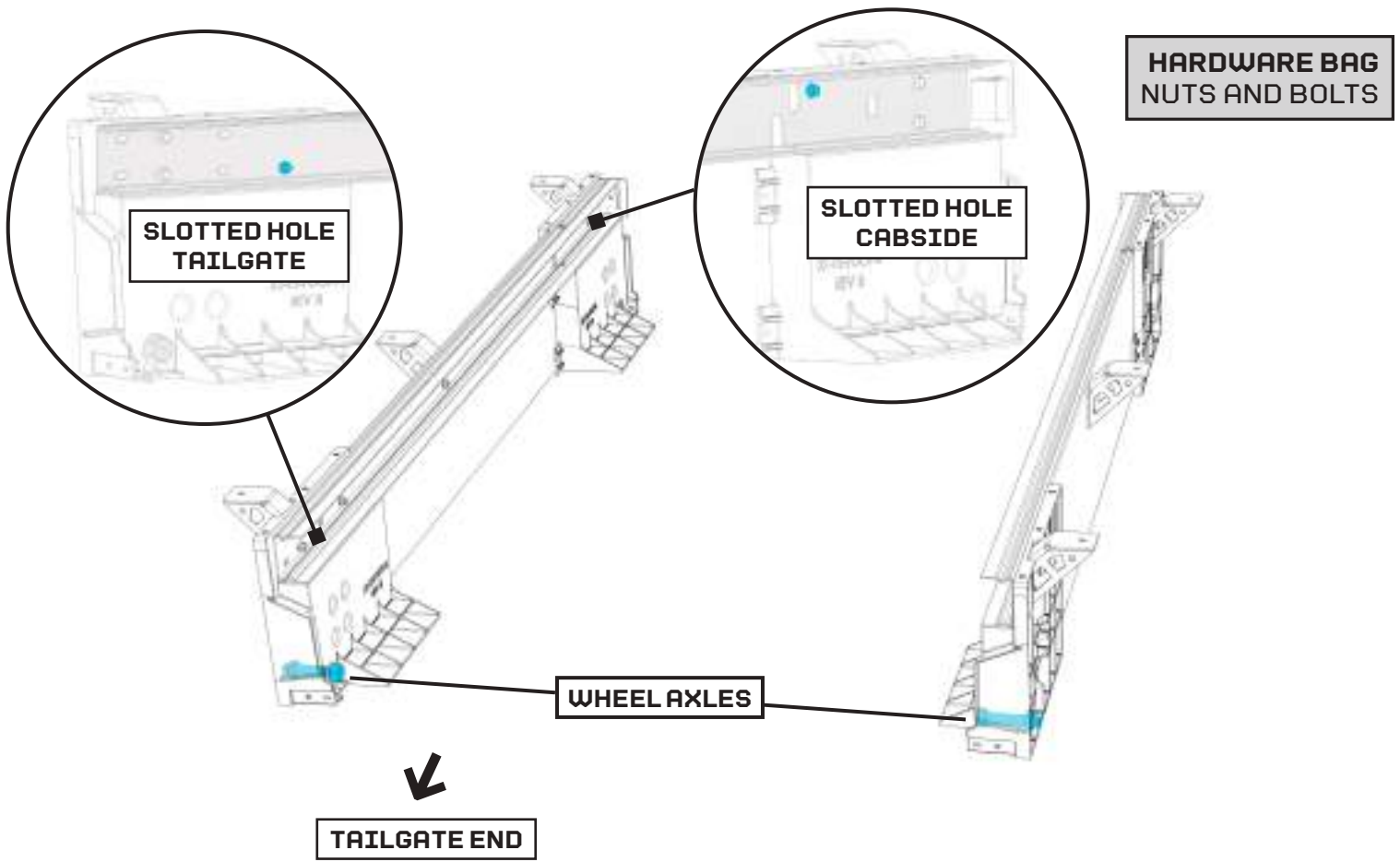


STEP 1: BE THE BOX

1. Arrange side assemblies on a flat surface with both wheel axles on the tailgate end.
2. Use the 1" bolts in the NUTS AND BOLTS bag. These may be black or zinc. Install two 1" bolts through the horizontal slotted holes in the C-Channel just inbound from the cabside and tailgate installed tie downs where shown. Install a flanged nut on the outside of the C-Channel/foot. The slotted holes may be on the top or bottom of the C-Channel, depending on the side.
3. Tighten all pre-installed C-Channel nuts and bolts EXCEPT for the tailgate end; leave all three tailgate nuts/bolts loose on each side. Verify the tie downs are plumb and level with the tops of the C-Channels when tightening bolts. If winger panels don't lie flat in later steps it may be because your tie downs aren't level.
DETAIL A.
4. Install SMALL wheels and bolts.

Leave all
tailgate bolts
loose for now.

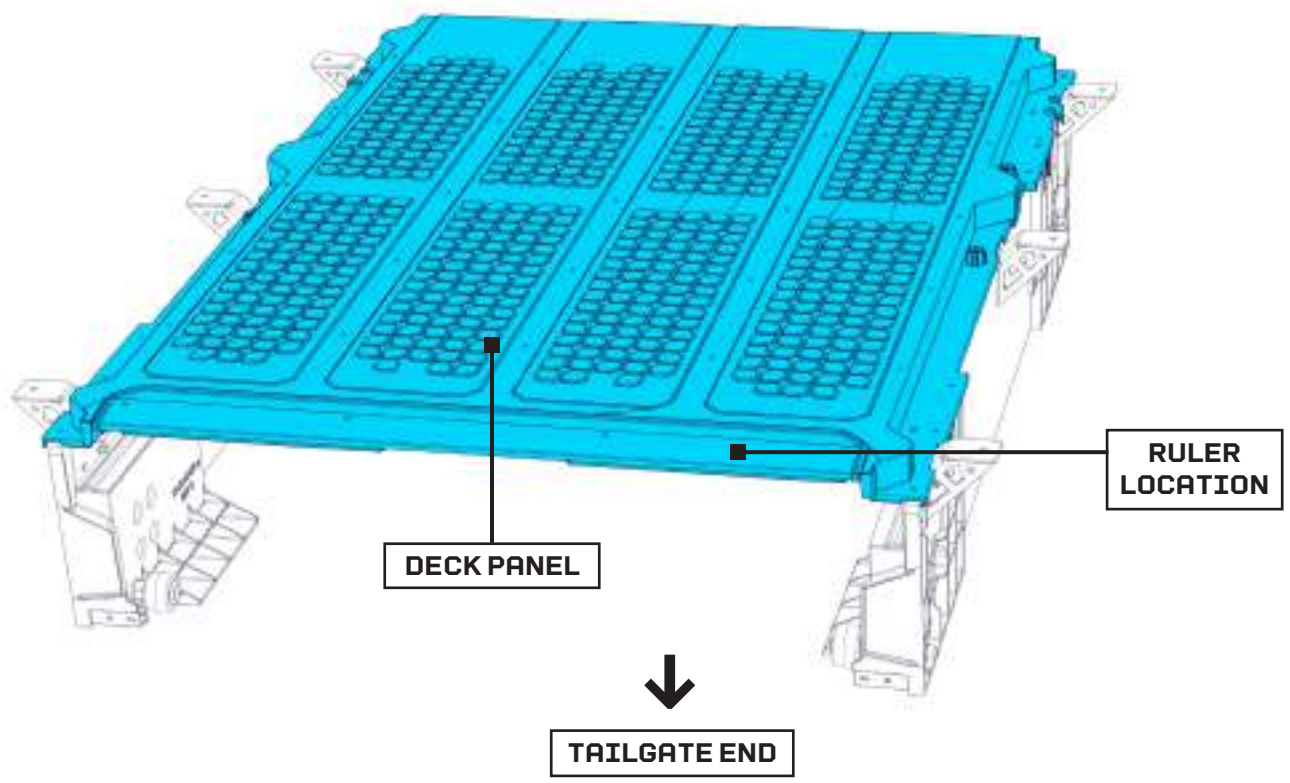
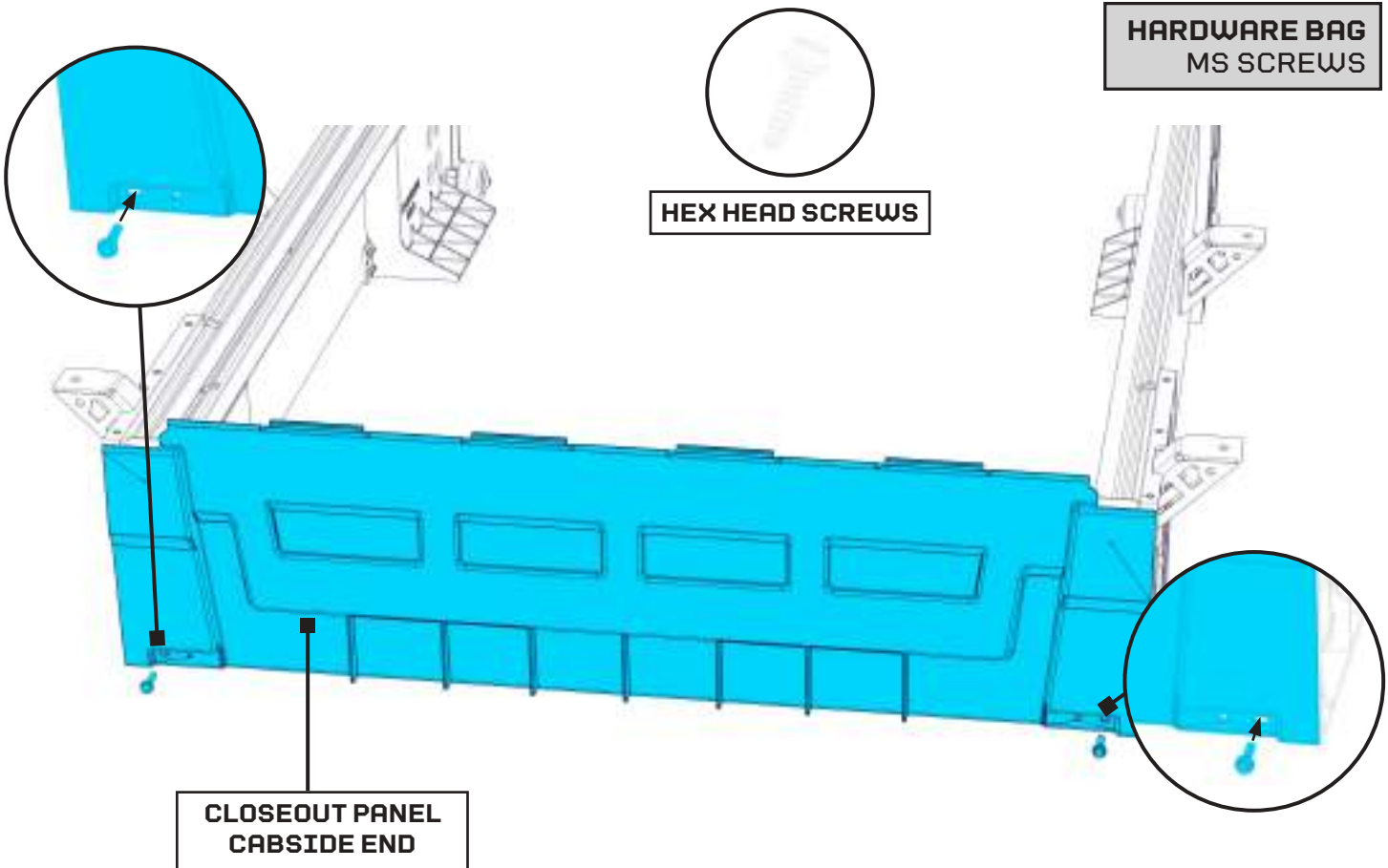




STEP 2:

CLOSE IT OUT

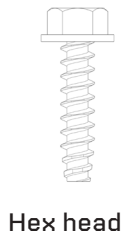
1. Install the cabside closeout panel with two hex head screws.
2. These are being installed directly into the polymer; DO NOT OVER TIGHTEN.
3. NOTE: If you purchased locks install the panel striker plate now from your lock hardware bag onto the underside of the deck panel. Refer to the lock instructions.
4. Place the deck panel on the assembly - ruler plate location on the panel goes on the tailgate end.
5. Shift the tailgate feet if necessary to align the inserts in the feet to the mounting holes in the panel.
6. Stretch your hamstrings.



STEP 3:

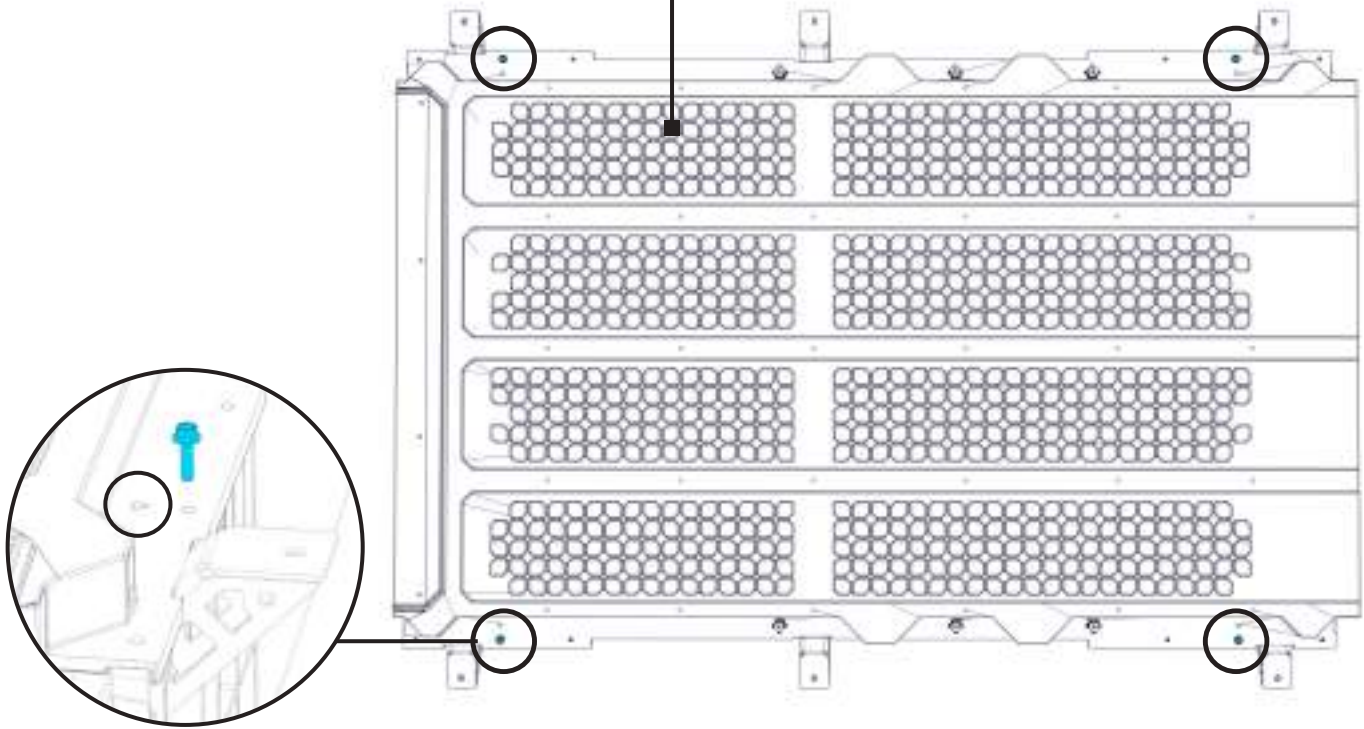
BIG DECK ENERGY

1. Use four bolts from the MS BOLTS bag, one in each corner at the triangle marks **ONLY**, to install the deck panel to the inserts in the corner feet. Refer to diagram for correct placement. Tighten just until snug.
2. Tighten the three tailgate side C-Channel nuts and bolts on each side, ensuring the tie downs remain level.
3. Use the hex head screws from the MS SCREWS bag to install the torsion brace onto the tailgate side of the assembly. Slide the torsion brace under the assembly with the holes facing you.
4. Install the stubbies into one side of the panel assembly.
5. Push stubbies inward and make sure they are fully seated.
6. Short beds will have 6 stubbies.
Long beds will have 8 stubbies.
7. Grab your trusted friend and carefully carry and place this assembly into your truck bed.
8. Install the remaining stubbies into the other side. Promise said friend one more beer to help you lift the side of the assembly to insert remaining stubbies.

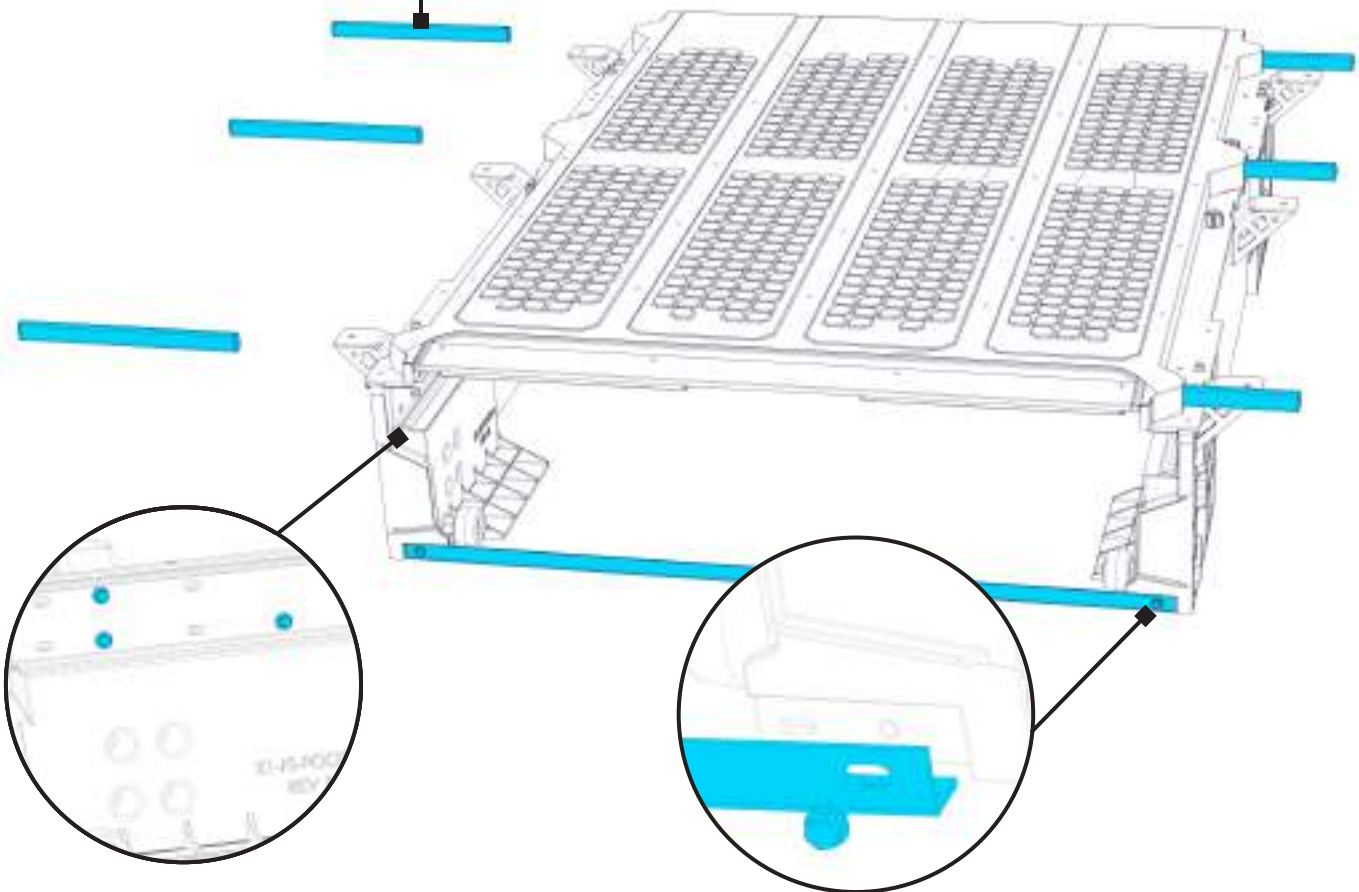


HARDWARE BAG
MS BOLTS, MS SCREWS

DECK PANEL



STUBBIES



STEP 4:

TIE 'ER DOWN

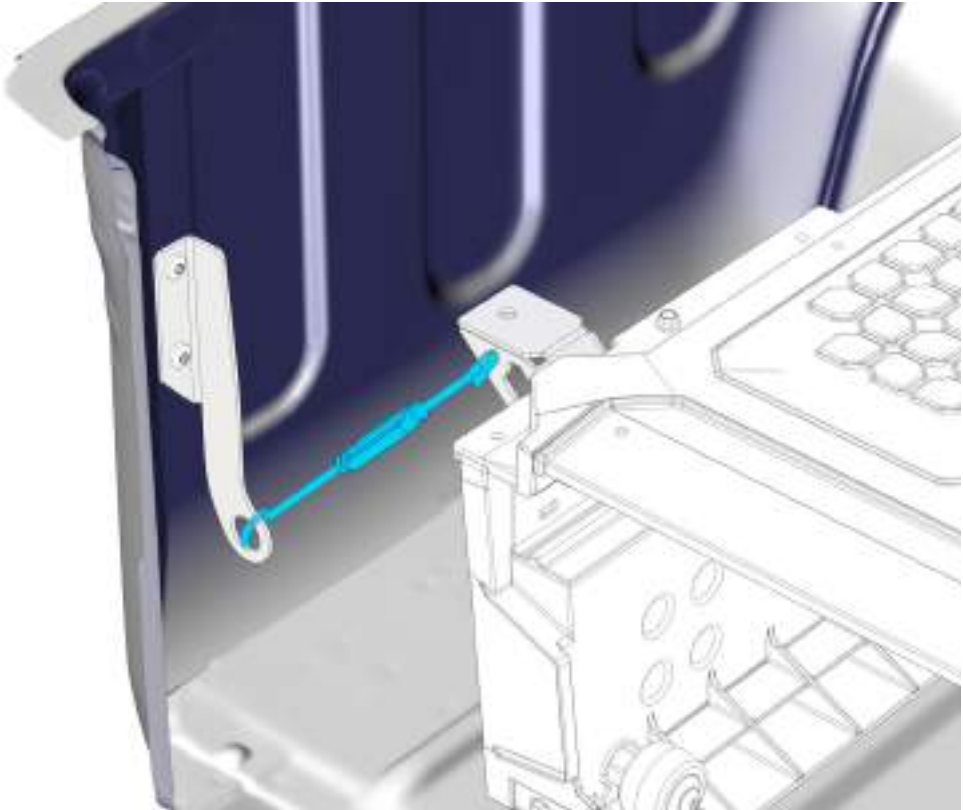
1. Attach cabside turnbuckles.
2. Use the shorter turnbuckles at the cabside.
3. Open the turnbuckle by first unscrewing the jam nuts to the most open position - towards the hooks.
4. Match the lengths of each threaded end in the turnbuckle. Adjust turnbuckles by holding each hook in a hand and then tighten or loosen by rotating the "takeup" without allowing hooks to rotate.
5. Adjust turnbuckle to approximately the correct length to reach from the round hole in the DECKED tie down bracket to the bed bracket.
6. Only fully tighten the cabside turnbuckles at this point. Hook one end of the turnbuckle through one of the round holes and the other end through the bed bracket. You may have to use the other round hole, depending on the length needed.
7. Verify the system is centered.
8. Loosen and retighten the cabside turnbuckles to center the system if necessary. Once you like it, tighten the turnbuckles completely by hand and then add one more complete turn with a wrench or screwdriver.
9. Tighten jam nuts firmly against the take up.
10. Install tailgate turnbuckles. Leave loose for now.

CABSIDE END



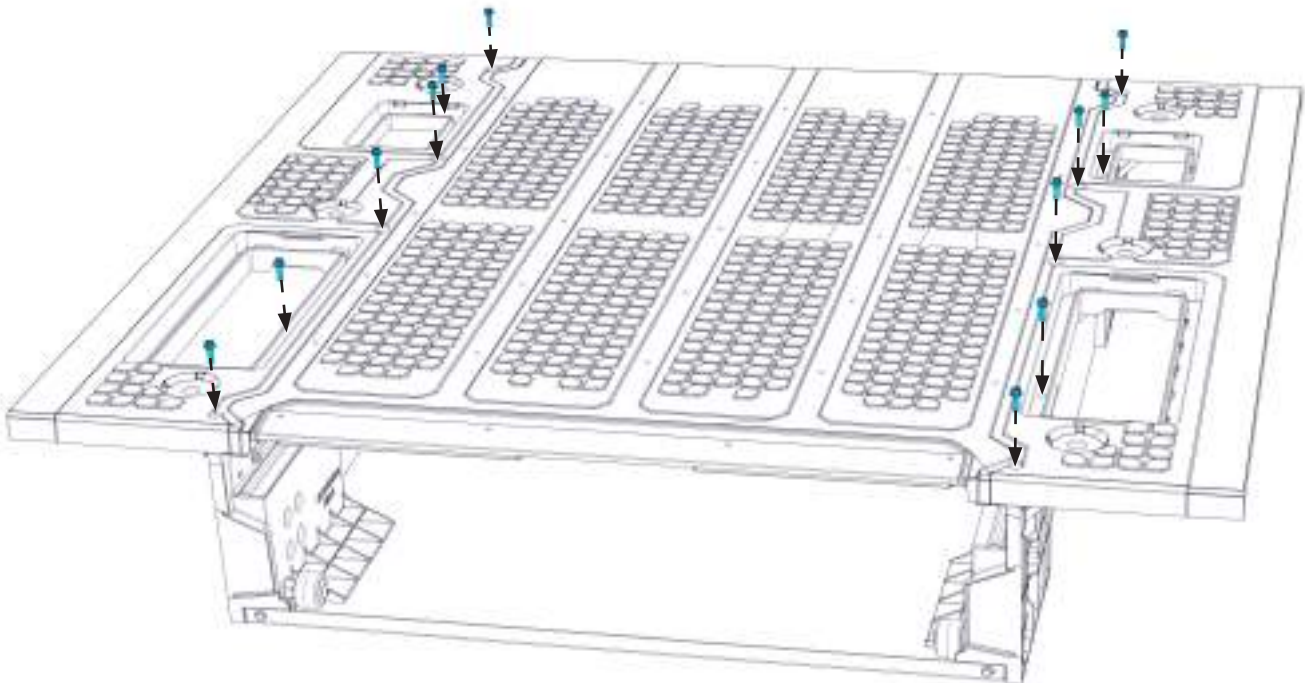
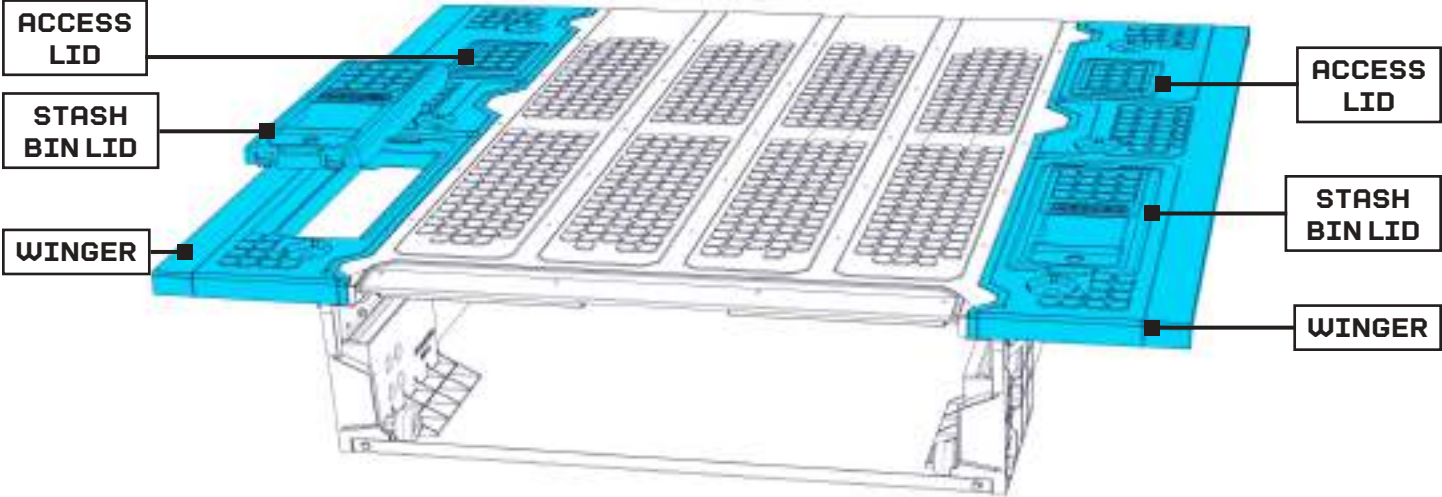
**NOTE: SHORT BED
IS SHOWN**

TAILGATE END



STEP 5: TIME TO WING IT

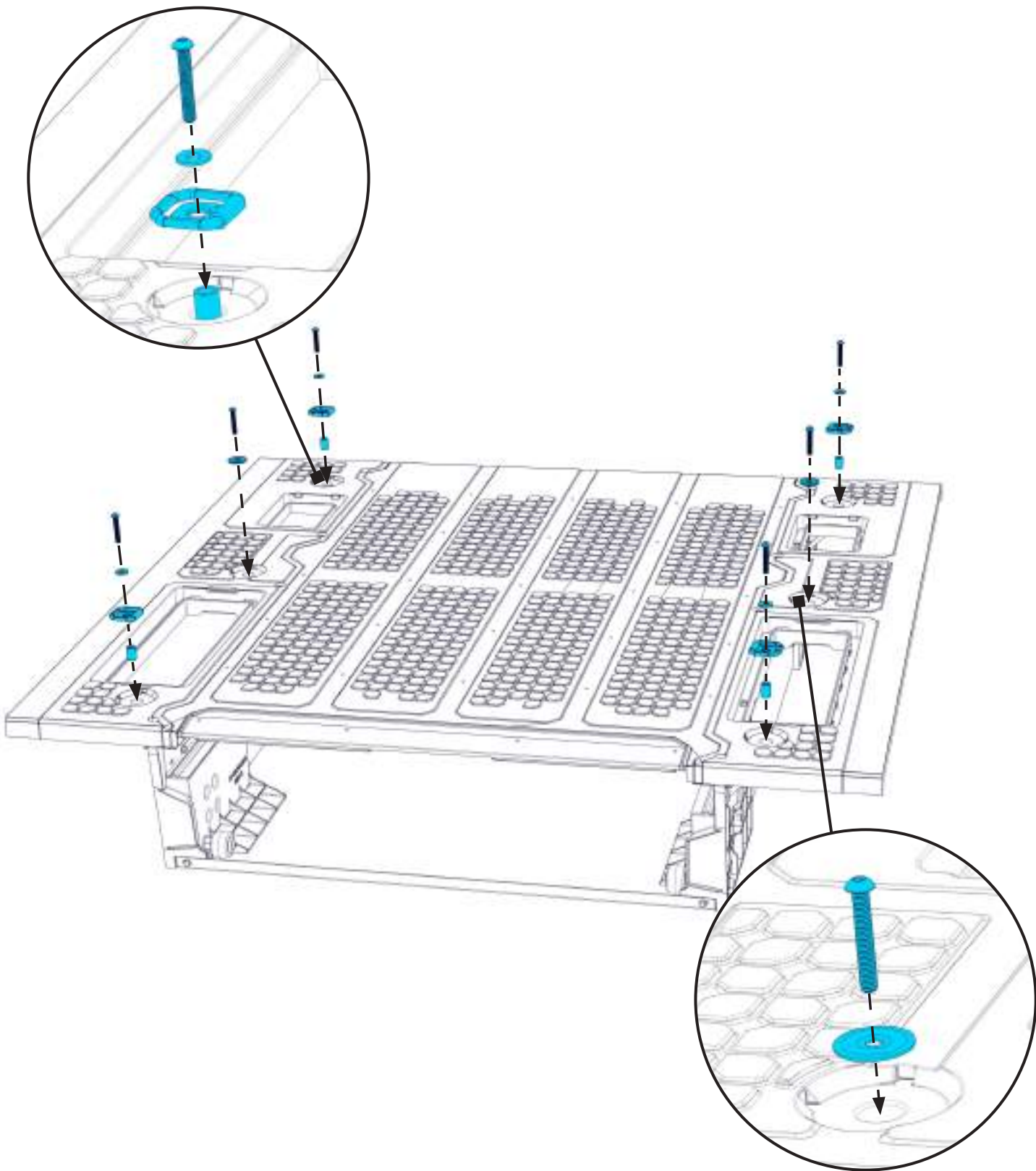
1. Place the wingers on the assembly.
2. Remove stash bin and access lids from the wingers. You can use a screwdriver or other pointy object to remove the access lids.
3. Use the remaining bolts to install the wingers to the assembly.
4. You'll have two extra if you have a short bed.



STEP 6: RING THE BELL

1. D-Rings may be installed in any of the six locations depending on your liking. Most sane people use the four corners. You can purchase additional D-Rings on our website.
2. Install D-Ring flat side down on top of silver spacer. Then place small black washer on top of D-ring and fasten with bolt. Tighten fully with a 3/16" hex wrench (included in your hardware kit).
3. Install the large black washers and bolts in the unused tie down locations.

HARDWARE BAG
D-RINGS, MS D-RINGS HW

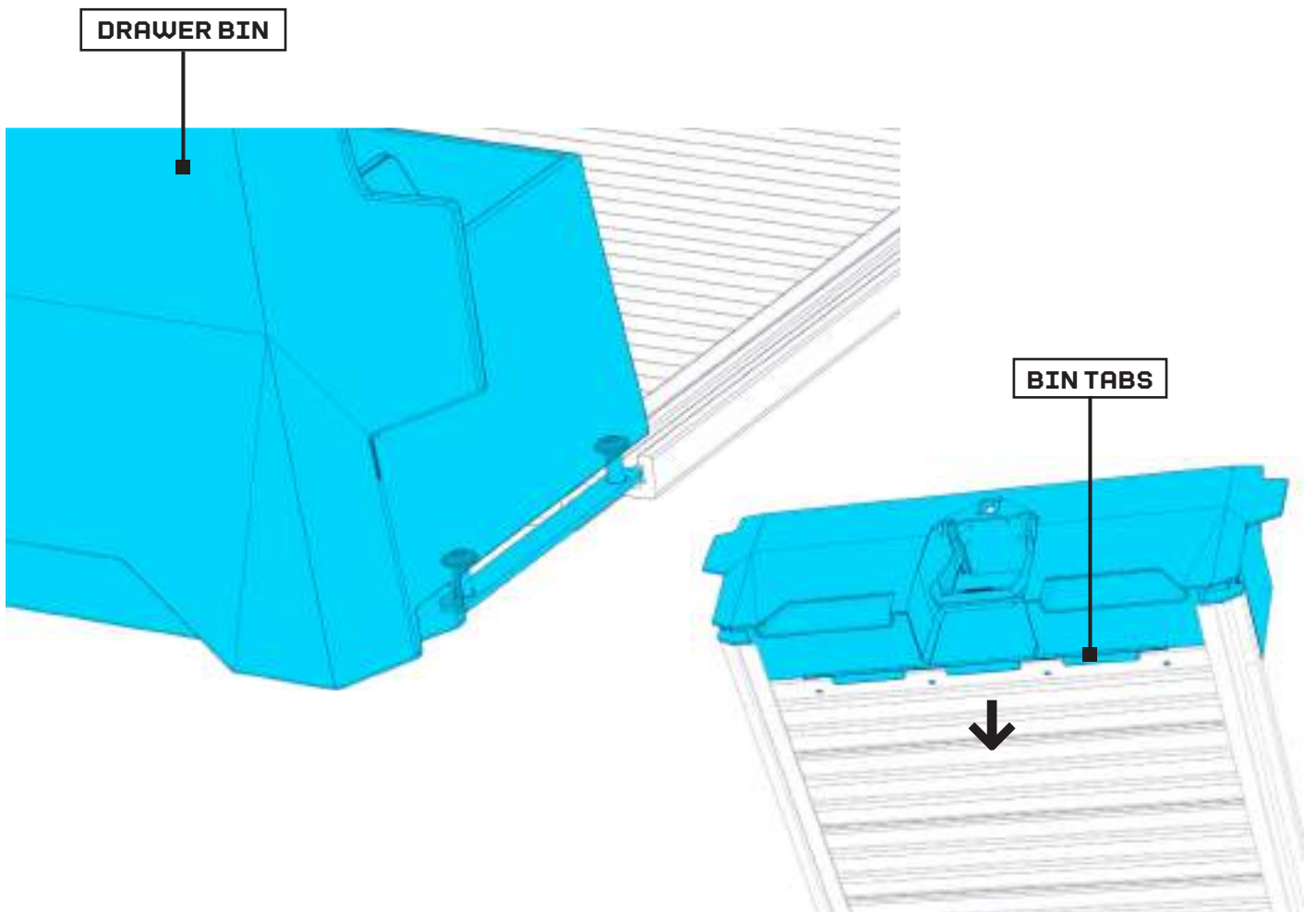
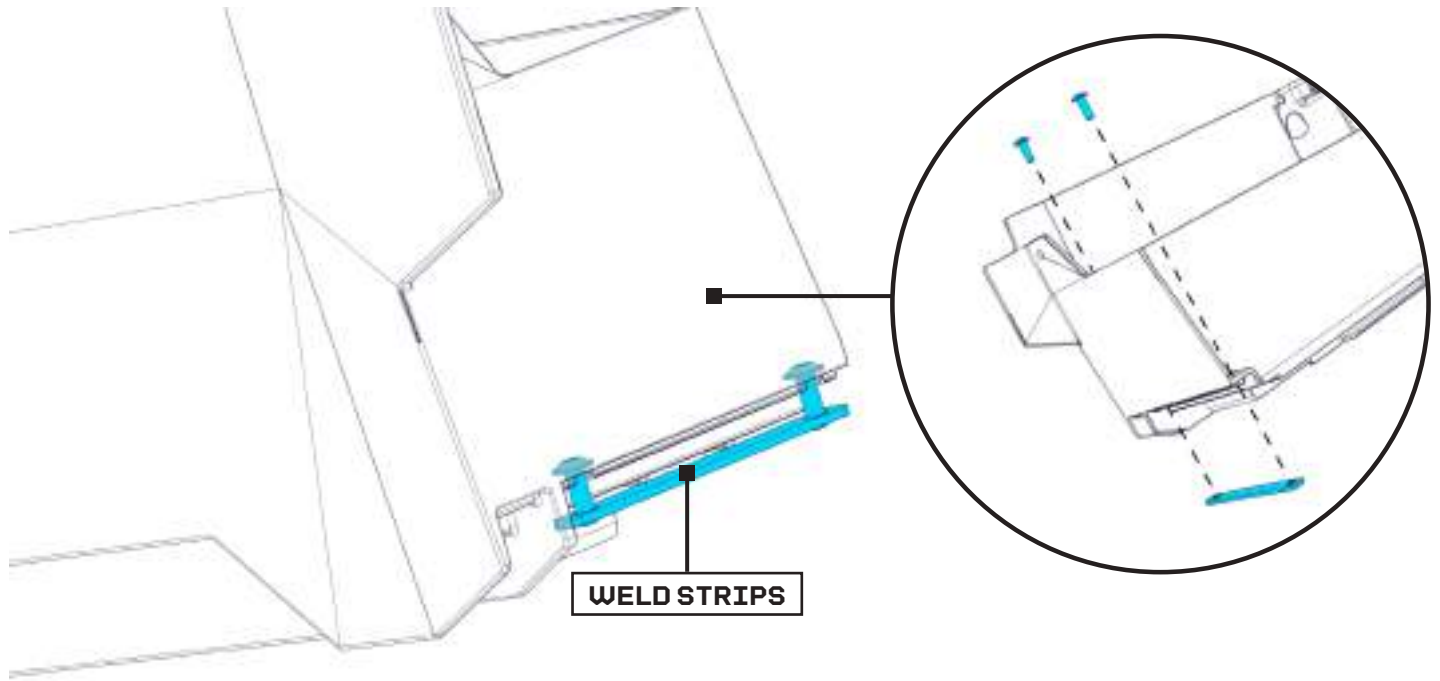


STEP 7:

BUILD THAT DRAWER

1. Use a 3/16" hex wrench to loosely install the 3/4" long screws through the inside of the drawer bin and into the weld strip below the bin. **Leave loose.**
2. The end of the tray with the four mounting holes is the tailgate end. Install drawer bin on this end. While supporting the drawer bin, evenly insert and slide the weld strips into each tray channel on the tailgate end of the assembly.
3. Push the tray up from below to seat it into the tabs.
4. Seat the aluminum side channels and tray fully against the bin and in the bin tabs.
5. Make sure everything is even before tightening the four weld strip screws.
6. Flex for the neighbors.

**HARDWARE BAG
DRAWER BIN HW**

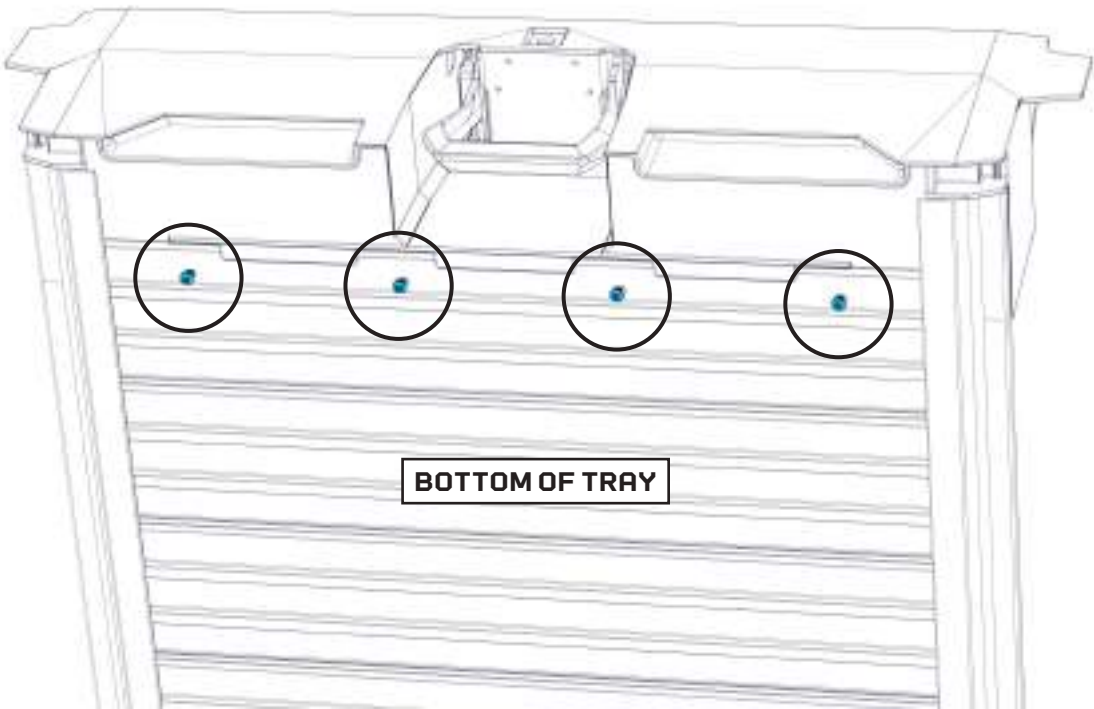
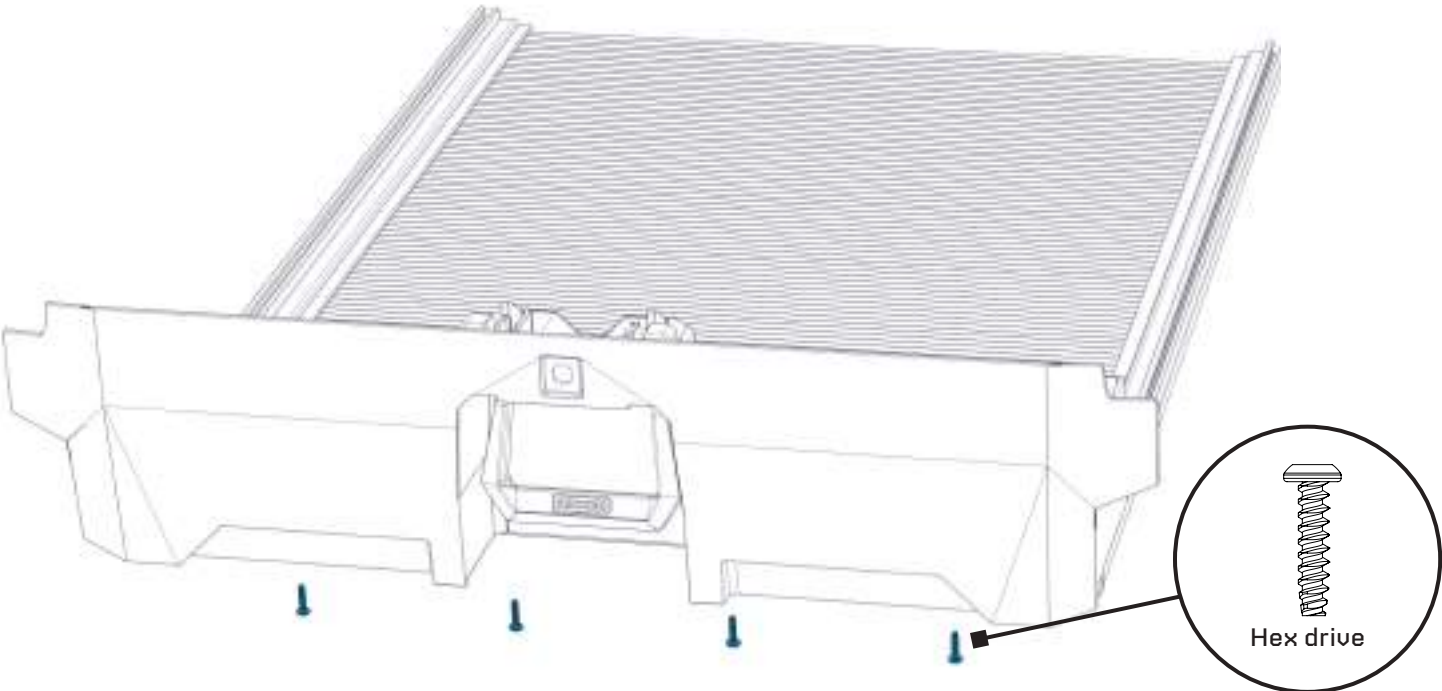


STEP 8:

BUILD THAT DRAWER

1. Make sure to place the assembly with drawer bin and tray on a flat elevated surface (like your truck bed). Do not turn over to screw together and do not rack or allow it to become misaligned.
2. Working from underneath the assembly, use the 3/16" hex key to install the four 1" long screws from the underside of the tray into the bottom of the drawer bin. Tighten until snug.

HARDWARE BAG
MS SCREWS

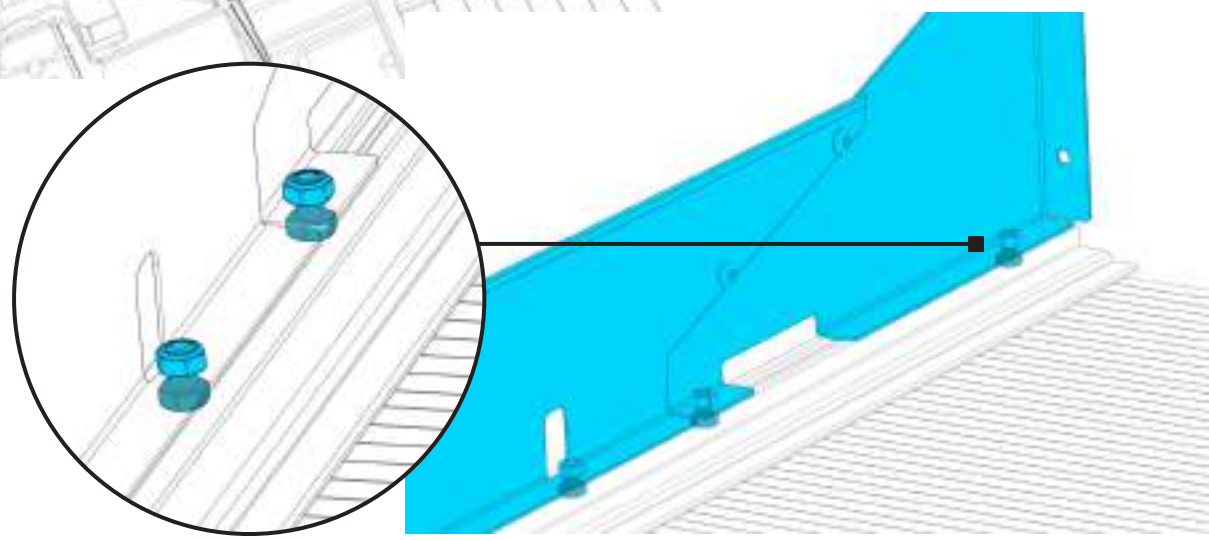
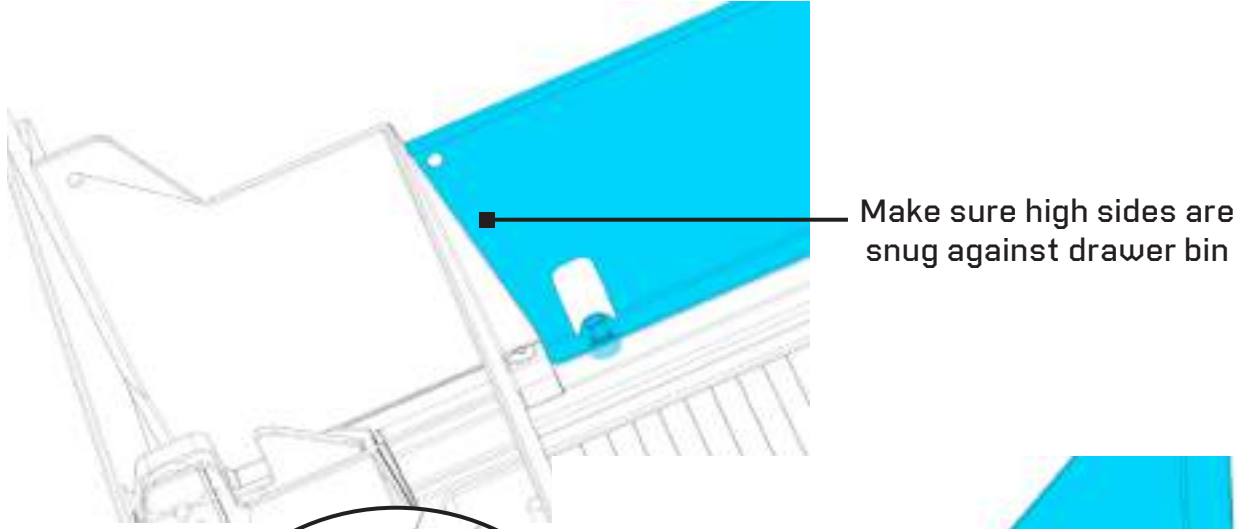
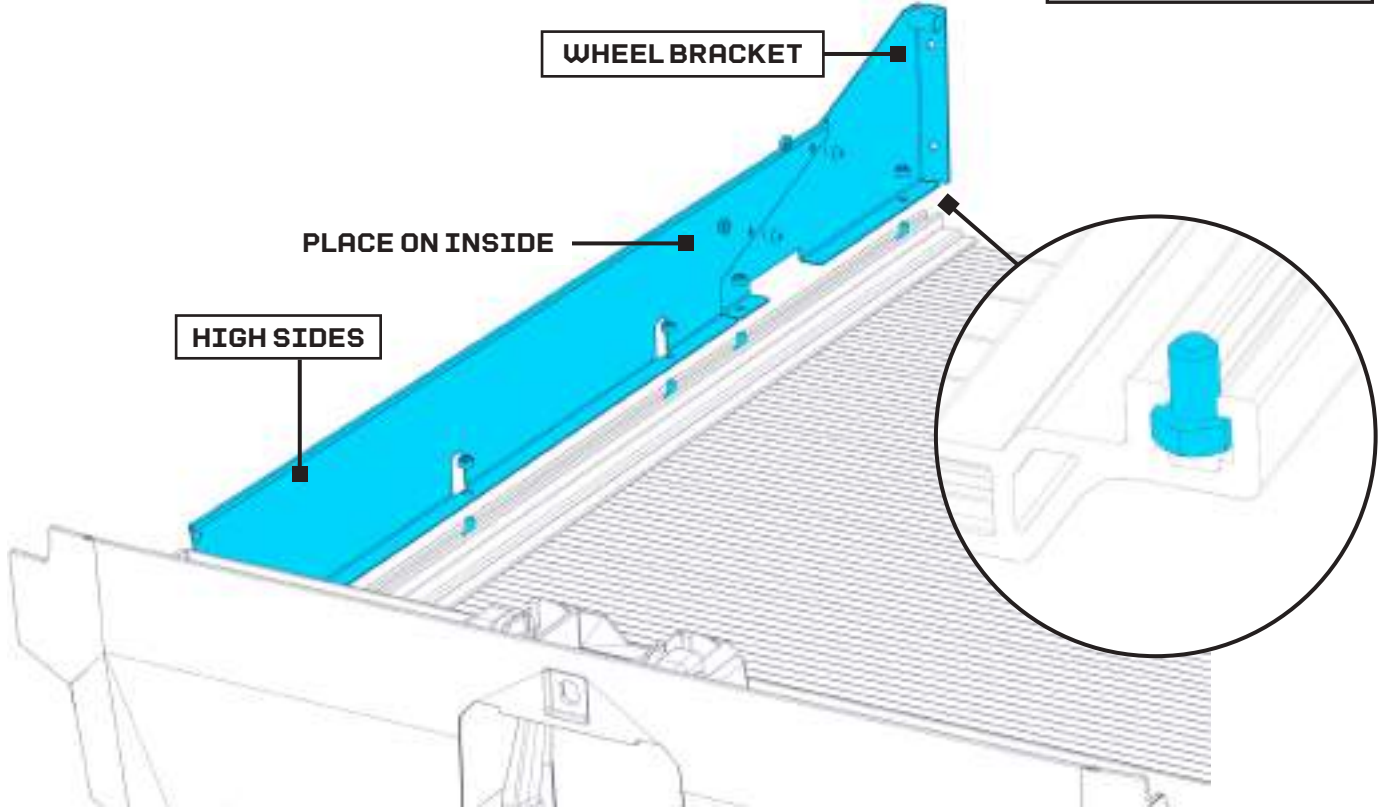


STEP 9:

BUILD THAT DRAWER

1. Insert the ten 1/2" hex head bolts into the channels - five on each side.
2. There are left and right wheel brackets and high sides. Loosely connect the left high side to the left wheel bracket with 1/2" nuts and bolts. The bolt head goes on inside/flange side of the highside and wheel brackets.
3. Install high sides and wheel brackets over the bolts in the channel. The high side flanges should be on the inside of the drawer.
4. Press assembly firmly against drawer bin.
5. Tighten assembly to channel with 10 nuts and bolts.

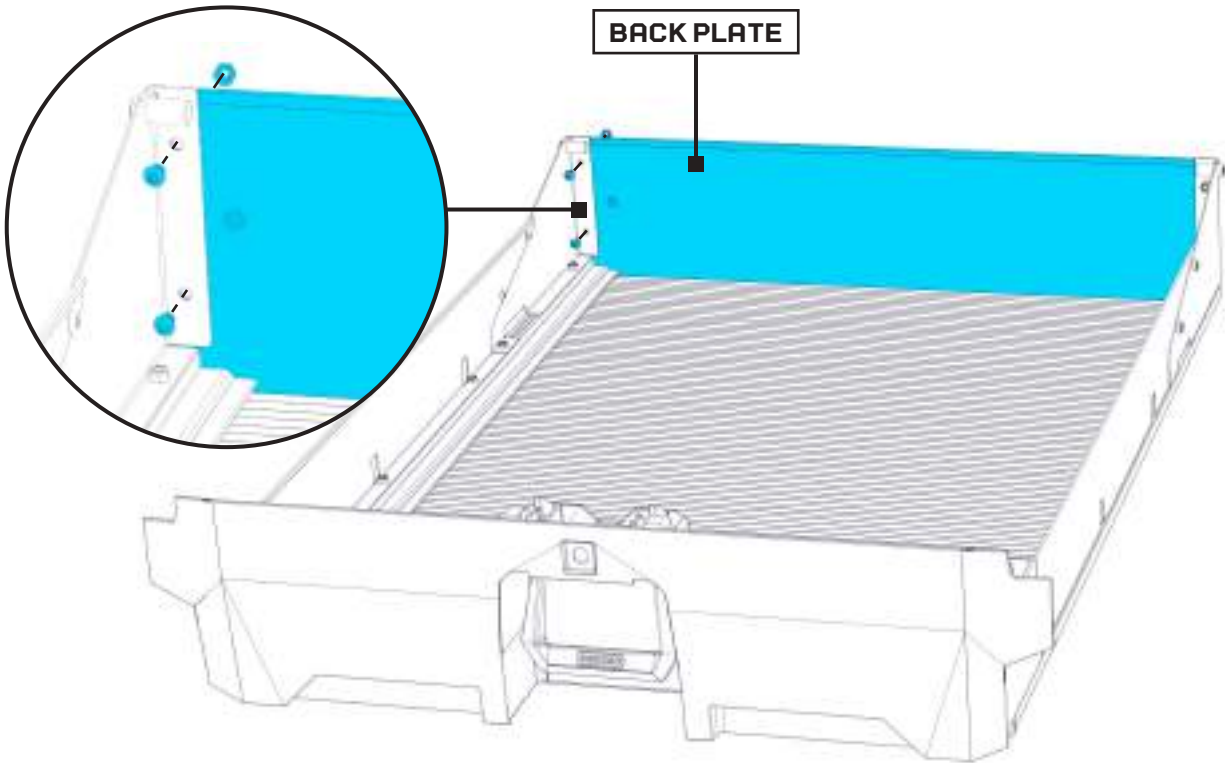
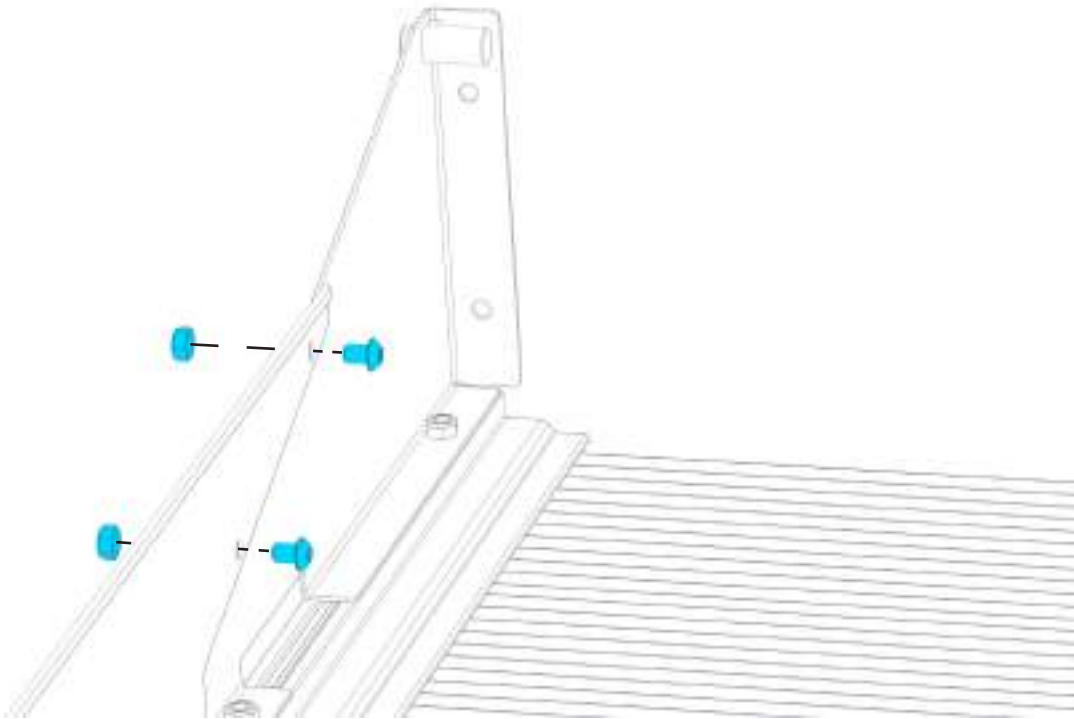
**HARDWARE BAG
DRAWER BIN HW**



STEP 10:

SECURE THE PERIMETER

1. Tighten high sides to drawer brackets snugly.
2. Slide the back plate onto the assembly.
Rotate up into place.
3. Use 1/2" bolts and nuts to secure the
back plate to the wheel brackets.

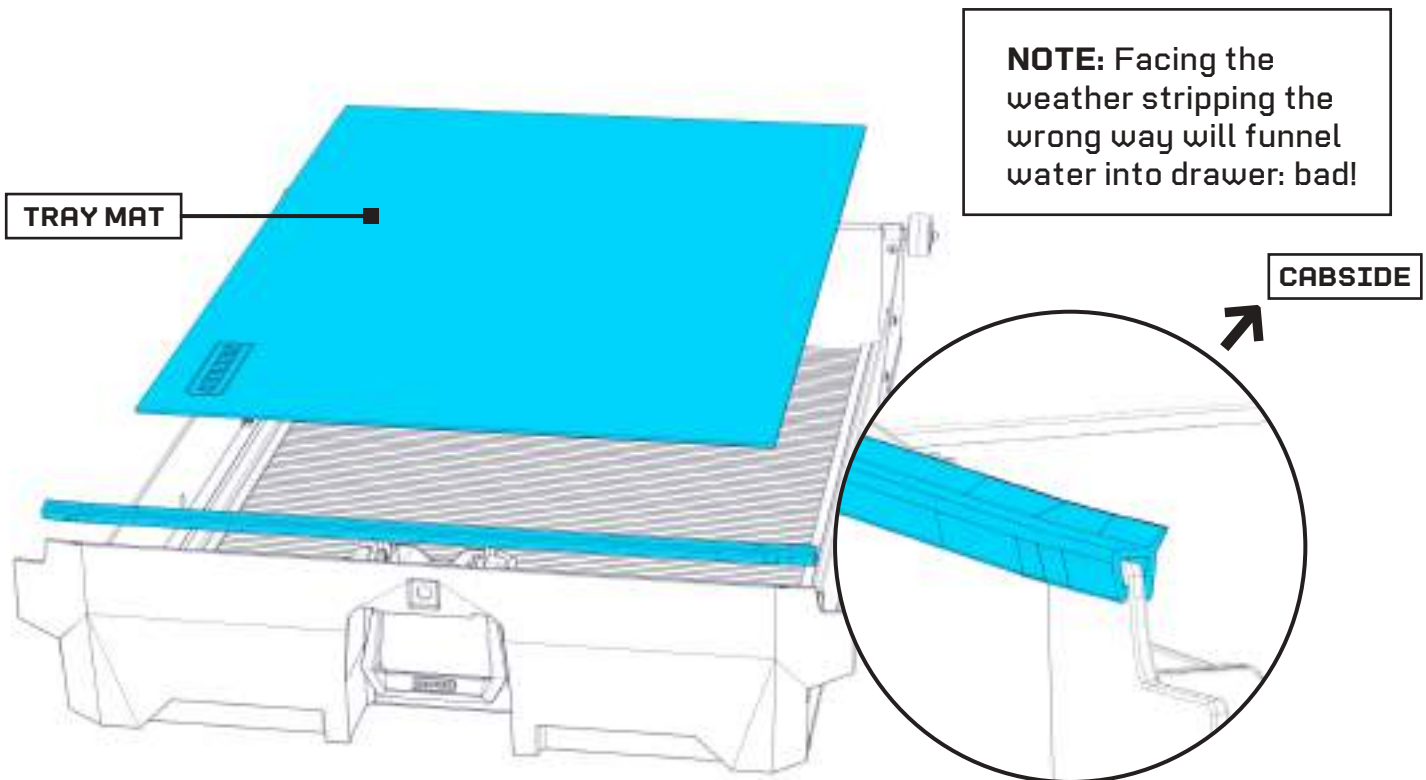
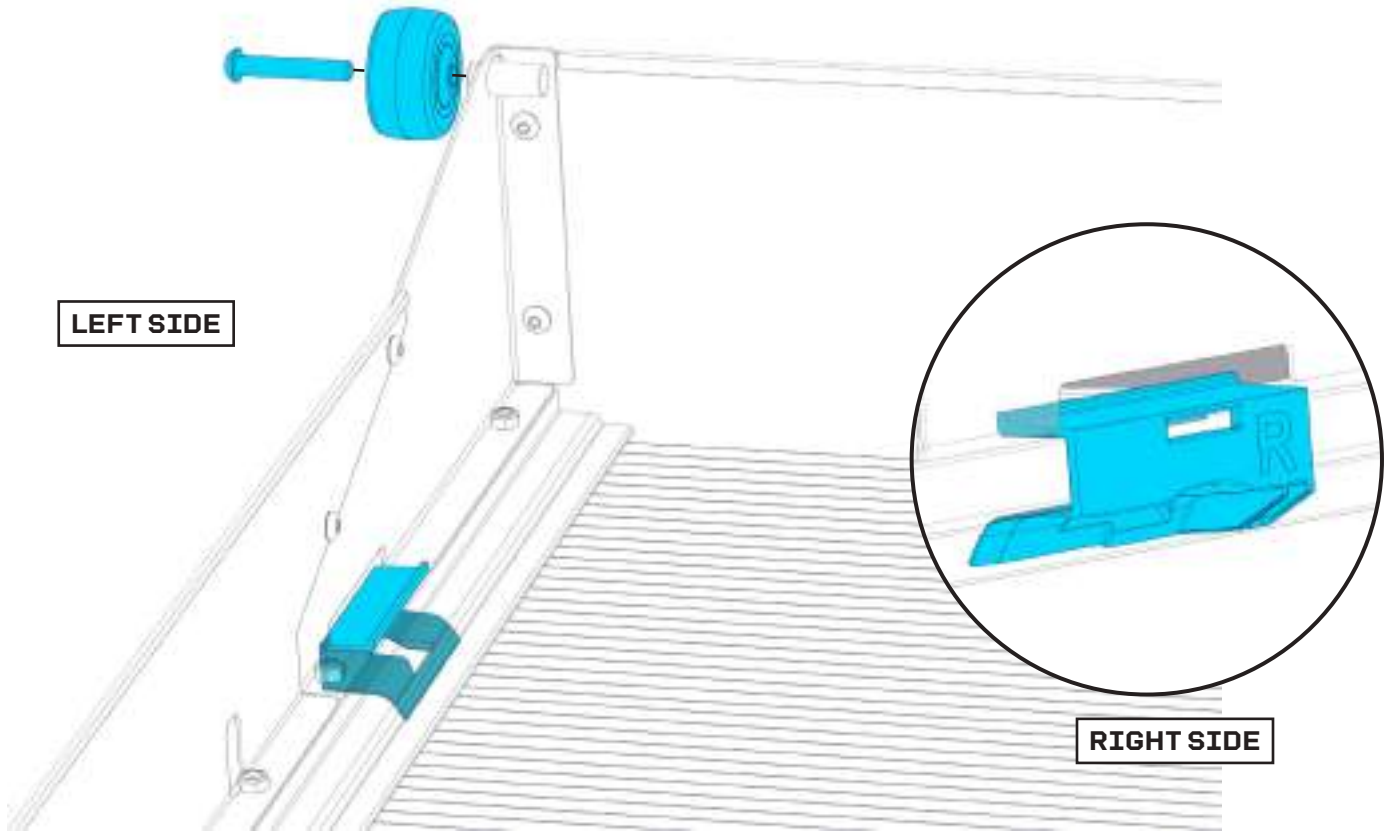


STEP 11:

ONE BIG ASS DRAWER

1. Clip the wheel stops onto the side rails.
They are marked L and R. Don't get this wrong.
2. Install both BIG wheels into the wheel brackets
with a 7/32" hex key.
3. Install the weather strip with the wiper blade
pointing towards the inside of the drawer.
4. Install tray mat.
5. Perform two karate high kicks and a pirouette.

HARDWARE BAG
XY WHEELS, WHEEL STOPS, WEATHERSTRIPS



Position weatherstrip with angle pointing towards the cab

STEP 12: THAT'S A WRAP

1. Carefully lift the drawer assembly and slide the wheels into the C-Channels.
2. Holding the tailgate side higher, slide the drawer in until the wheel stops clear the tailgate wheels.
3. Level out the drawer and slide all the way in.
4. Install ruler using four 3/16" hex drive screws. Do not over torque, torque boy. Just get 'em snug.
5. Center system and tighten tailgate end turnbuckles like you did earlier.
6. Install the two stash bin lids and two access lids. Install stash bin plugs or locks (if you purchased). Install drawer bin plug or lock.
7. Stand back and say, "YUP" with your hands on your hips.

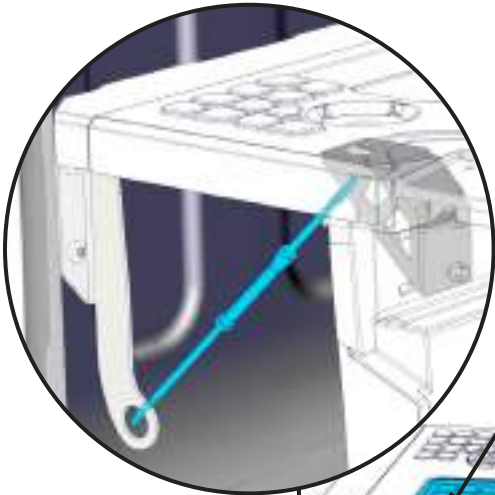
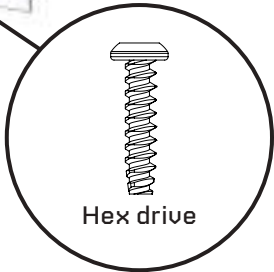
**CONGRATS,
GAME CHANGER!**

YOU DID IT.

Crack open a cold one of your liking, sit back and admire your work. Now get busy organizin'!

HARDWARE BAG
MS SCREWS

RULER



ACCESS LIDS

STASH BIN PLUG

STASH BIN

STASH BIN

DRAWER BIN PLUG

TORSION BRACE



DECKED PRODUCTS LIMITED LIFETIME WARRANTY (AKA LEGAL MUMBO JUMBO)

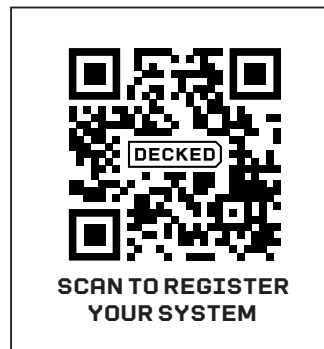
DECKED LLC warrants to the original purchaser of this product that the product will be free from manufacturing defects in workmanship and materials for a period of three (3) years from the date of the original purchase. If within three (3) years from the original date of purchase this product fails due to defect in materials or workmanship, DECKED LLC will replace any defective part at its option.

The original purchaser must contact the DECKED LLC customer service team and provide a description of the defective part, including digital pictures if requested, with the original purchase documentation as validation of warranty coverage or have previously activated their warranty online.

This warranty DOES NOT cover or apply to:

- Damage to the product due to misuse, mishandling and abuse.
- Products not used in accordance with the manufacturer's instructions or recommendations.
- Product not assembled or installed according to manufacturer's instructions.
- Normal wear and tear.
- Undeclared damage to the system during shipping, acts of God. In addition, consequential damage and incidental damages (including lost time) such as damage to persons or property are not covered under this warranty.

REGISTER YOUR PRODUCT FOR ANY FUTURE WARRANTY NEEDS. [DECKED.COM/REGISTER](https://decked.com/register)



Register your system at
decked.com/warranty

REGISTER YOUR PRODUCT FOR ANY FUTURE WARRANTY NEEDS.

[DECKED.COM/REGISTER](https://decked.com/register)

Warranty claims must include reciprocal contact information and may be made via certified mail or email to:

DECKED Warranty and Claims
PO Box 885
Ketchum, ID 83340
warranty@decked.com
208-806-0251

PATENTS

MIDSIZE DRAWER SYSTEM:

US10988087B2, 112017005448.6, AU2017348386A1, 3042037

FULL SIZE DRAWER SYSTEM:

US9527454-B2, USD719905 S, US9168874 B2, CA2969118A1

TOOL BOX:

US20210062581A1